

2003 Standard For Protective Headgear

For Use with Skates, Skateboards and Non-Motorized Vehicles and Other Activities Requiring
More Protection than Standard Bicycle Headgear

Special Note to Helmet Users

This Standard describes helmets for use in recreational, non-motorized activities. Helmets certified to this Standard, by the fact of this certification, have met all Federal performance requirements for bicyclist helmets.

There are four reasons for you to be interested in this Standard:

1. Many recreational activities impose risks of death or permanent impairment due to head injury.
2. The proper use of protective helmets can minimize the risk of death or permanent impairment.
3. The protective capacity of a helmet is difficult to measure, particularly at the time of purchase or use.
4. Snell certification backed by ongoing random sample testing identifies those helmet models providing and maintaining the highest levels of head protection.

There are at least four critical elements affecting a helmet's protective properties:

1. Impact management - how well the helmet protects against collisions with large objects.
2. Helmet stability - whether the helmet will be in place, on the head, when it's needed.

3. Retention system strength - whether the chinstraps are sufficiently strong to hold the helmet throughout a crash sequence.
4. Extent of Protection - the area of the head protected by the helmet.

This Standard describes simple tests for all four of these items. However, the tests for the second item, helmet stability, of necessity presume that the helmet is well matched to the wearer's head and that it has been carefully adjusted to obtain the best fit possible. Unless you take similar care in the selection and fitting of your own helmet, you may not obtain the level of protection that current headgear can provide.

The Foundation recommends the simple, straightforward procedure recommended to consumers by most helmet manufacturers:

Position the helmet on your head so that it sits low on your forehead; if you can't see the edge of the brim at the extreme upper range of your vision, the helmet is probably out of place. Adjust the chinstraps so that, when buckled, they hold the helmet firmly in place. This positioning and adjusting should be repeated to obtain the very best result possible. The procedure may be time consuming. Take the time.

Try to remove the helmet without undoing the chinstrap. If the helmet comes off or shifts over your eyes, readjust and try again. If no adjustment seems to work, this helmet is not for you; try another.

This procedure is also the basis of the test for helmet stability described in this Standard. This test performs the same steps but uses standard headforms.

However, you must still perform this procedure for yourself when buying a helmet and every time you wear a helmet. Only in this way will you be able to make all the proper

adjustments in pads and strapping to get the best fit possible. Furthermore, your test on your own head will be an improvement on ours; you will determine whether the helmet is appropriate for you personally.

There are several other important aspects of helmets to consider. Bright colors and reflective patches will make you more visible to others and therefore less likely to be involved in a collision.

FOREWORD

Even in non-motorized recreational activities, there are significant risks of injury or death¹². Helmets on the market today offer varying degrees of protection, but the consumer has little basis for judging the relative effectiveness of a given model. This Standard presents a rational means for differentiating between helmets which meet specified standards for impact protection and retention system effectiveness and those which do not.

The Snell Foundation encourages the general public to wear helmets which meet appropriate performance standards when participating in activities involving appreciable risks of head injury. The Foundation urges that organizers and promoters of such activities require protective helmets for all participants.

This 2003 Standard establishes protective performance characteristics to reduce head injury in roller skating, roller blading, skate boarding, rock climbing, paddling, playground activities, and for other non-motorized activities including bicycling which involve speed, balance,

¹Baker, Susan P., et al., Head Injuries in Informal Recreation: The Case for Widespread Helmet Use (Baltimore: Johns Hopkins University Injury Prevention Center, 1992).

²Baker, Susan P., et al., Injuries to Bicyclists: A National Perspective (Baltimore: Johns Hopkins University Injury Prevention Center, 1993).

and agility³. These performance characteristics are not sufficient for helmets used in skiing, water skiing, equestrian sports, team sports or any motorized activity.

This Standard does not establish construction and material specifications. The Foundation does not recommend specific materials, components or designs. Manufacturers voluntarily submit helmets to be tested to this Standard and if the submitted helmets pass, a certification is issued.

The Foundation will make available the identity of those products which have been Snell certified but will not attempt to rank those products according to performance or to any other criteria.

All of the requirements described herein, including both initial certification and random sample testing, are an integral part of this Standard. No helmet can satisfy the Standard unless it is subject to both certification and random sample testing by the Foundation.

Snell certification for protective headgear requires a specific contractual agreement between the primary headgear manufacturer and the Foundation. Certification procedures may be obtained upon application to the Foundation.

INTRODUCTION

This Standard addresses the problem of protecting the head from direct impact with various shapes of surfaces that may be encountered in an accident. The Standard prescribes direct measures of several factors bearing on a helmet's ability to protect the head as well as its general serviceability as sports headgear. Thus, this Standard is directed towards the kinds of

³The Foundation has also published Standards for headgear used in bicycling, motorcycling, automobile racing, Karting, Skiing, Snowboarding and in equestrian activities. Copies of these Standards are available on request.

performance bearing on head protection that may not readily be discernible by even knowledgeable consumers at the time of purchase.

This standard sets requirements comparable to the Foundations B-90 bicycle helmet standard and to the Consumer Product Safety Commission Bicycle Helmet Safety Standard but goes beyond these documents in two important ways:

1. This standard calls for additional coverage at the back of the head. The helmet must manage impacts sited 20 mm lower on the back of the head than helmets tested to Snell B90A or to the CPSC requirements for persons age five and older.
2. This standard tests for shell toughness around the helmet's circumference. Many of the activities for which these headgear are intended will impose risks of impacts against sharp edged surfaces such as half pipe lips, concrete steps and the like which could conceivably split the shells current bicycle helmet configurations and make direct contact with wearer's heads. This standard tests the brow, sides and rear of the helmet in impact against a sharp edged 'hazard' anvil. Since the top of the head is rarely impacted and since this test for toughness is expected to complicate provisions for helmet venting, this test will be applied about the circumference of the helmet only.

Some of this standard's performance requirements have been expressed in terms of limitations on the various components and features of the single general helmet configuration currently available. These expressions have been used only for the sake of clarity and should not be misinterpreted as requiring specific configurations or materials. As newer helmet technologies appear, these limitations will be re-examined and, perhaps, restated.

A helmet consists generally of a rigid head covering and a retention system composed of flexible straps and hardware. The rigid covering consists primarily of a crushable liner which may be contained within a stiff outer shell. If present, the stiff outer shell protects by its capacity to spread a concentrated load at its outer surface over a larger area of the liner and the wearer's head. The crushable liner protects the head from direct impact by its capacity to manage impact energy.

The retention system holds the headgear in position throughout normal usage and especially during falls and accidents. This Standard applies two different tests to the retention system. The first of these tests for stability by fitting the headgear to a standard headform and then attempting to displace it by applying tangential shock loadings. The second tests retention system strength by applying a shock load to the system components through a simulated chin.

The quality of the fit and the care taken with the adjustments are absolutely critical elements in these tests. **The manufacturer must provide suitable guidance so that the wearer will be able to select and adjust headgear to obtain the necessary quality of fit and positional stability.**

The capacity for impact management and penetration protection is determined by direct measurement of the shock delivered through the helmet to a headform when the helmeted headform is dropped in a specified manner onto any of four unyielding anvils. Three of the anvils: flat, hemispherical and curbstone, represent commonly encountered impact injury hazards. The fourth anvil, the hazard anvil, consists of a right angle with a sharp edge which tests the headgear's capacity to protect against extremely concentrated loadings applied to the brow, rear and sides of a wearer's head.

Most helmets are intended to accommodate a range of head sizes and shapes. Various thicknesses of resilient lining material are sometimes placed within otherwise identical helmets during production or during fitting to configure the helmet to several different ranges of head size. This resilient padding does not significantly affect the way the helmet manages and attenuates impact and is not directly addressed in this Standard.

Other general features of sports helmets may include eyeshades and accommodations for goggles, and visibility enhancements such as bright colors and reflective surfaces. These features all deal with matters of safety and comfort that are not directly addressed in this Standard but which merit the consideration of wearers as well as manufacturers.

Although helmet use has been shown to reduce head injuries significantly, there are limits to a helmet's protective capability. No helmet can protect the wearer against all foreseeable accidents. Therefore, injury, death and permanent impairment may occur in accidents which exceed the protective capability of any helmet including even those helmets meeting the requirements of this Standard.

A helmet's protective capability may be exhausted in an accident. Helmets are constructed so that the energy of a blow is managed by the helmet, which may cause its partial or total destruction. Because the damage may not be readily apparent, the Foundation strongly recommends that a helmet impacted in an accident be returned to the manufacturer for complete inspection. If it is not possible to do so, the helmet should always be destroyed and replaced.

Finally, the protective capability may diminish over time. Some helmets are made of materials which deteriorate with age and therefore have a limited life span. At the present time, the Foundation recommends that sports helmets be replaced after five (5) years, or less if the manufacturer so recommends.

CONSTRUCTION

A. General

The assembled helmet shall have smooth external and internal surfaces. Any feature projecting more than 5 mm beyond the outer surface must readily break away; all other projections on the outer surface shall be smoothly faired and offer minimal frictional resistance to tangential impact forces. Rivets and similar projections into the helmet interior must offer no laceration or puncture hazard to the head.

If the absence of any detachable component of the helmet does not prevent its being worn, then this absence must not compromise either the retention system or the impact protection. If any part of the helmet detaches during testing, it must offer no laceration or puncture hazard nor reduce the area of coverage of the head.

If the manufacturer provides add-ons such as visors, face shields and neck curtains with the helmet, these add-ons must neither lessen the protective capability of the basic helmet nor create a direct hazard for the wearer.

B. Materials

Ideally, materials used in the manufacture of the helmet should be of durable quality and not be harmed by exposure to sun, rain, ozone, dust, vibration, sweat or products applied to the skin or hair. Similarly, the materials should not degrade due to temperature extremes likely to be encountered in routine storage or transportation.

Materials which are known to cause skin irritation or are conducive to disease shall not be used for the parts which contact the skin. Materials that support the growth of fungi or algae shall not be used. Lining materials, if used, may be detachable for the purpose of washing.

C. Finish

All edges of the helmet shall be smoothed and rounded with no metallic parts or other rigid projections on the inside of the shell that might injure the wearer's head in the event of impact.

D. Retention System

The retention system shall be designed so as to discourage misuse. That is, of all the ways in which the retention system might be used, the design use shall be the simplest and quickest to implement. Helmets shall not be fitted with "non-essential" features which, if misused, can degrade the performance. Quick release buckles, if used, shall not be able to be released inadvertently.

E. Peripheral Vision

The helmet shall provide peripheral visual clearance. This clearance is defined using a reference headform appropriate to the size of the helmet and corresponds to a visual field of at least 110E to the right and to the left of straight ahead.

The helmet shall also provide an upward visual clearance. This clearance is defined using a reference headform appropriate to the size of the helmet and corresponds to a visual field of at least 20E upward from horizontal.

QUALIFICATIONS FOR CERTIFICATION

For qualification testing, helmets shall be in the same condition as those offered for sale. No helmet or component which has been subjected to any tests described in this Standard shall be offered for sale after testing. A total of six (6) complete helmets must be submitted by the manufacturer for a certification test program for each size of each model offered for sale. Five of these samples will be destroyed in testing; the sixth shall be retained for comparison and reference.

MODIFICATIONS

Cosmetic changes to certified headgear are permissible. Such changes are generally limited to marking or trimming the headgear with manufacturer approved paint or tape.

Otherwise, modification of certified headgear creates new headgear which will not have the confidence and certification of the Foundation until samples have been submitted and evaluated. Manufacturers must not place the Foundation's certification label in any modified headgear for which they have not received written permission.

After-market modifiers of such certified headgear should be aware that any structural modification may adversely affect a helmet's protective capability and therefore invalidate the certification.

RANDOM SAMPLE TESTING

In addition to the certification testing, the Foundation will routinely obtain and test samples of previously certified models. These samples will be selected from among those stocks intended for retail sale to consumers. In this manner, the Foundation will attempt to ensure that the helmets made available to the public continue to meet the performance requirements of this Standard.

In cases where helmets are provided directly to users and do not pass through a normal sales distribution system, the Foundation will set up alternative procedures to monitor certified products. Specifically, if helmets are provided directly to teams or individuals for use in organized events, the Foundation must have access to the helmets for spot checking and non-destructive evaluation.

LABELING AND MARKING

Each helmet shall have durable, visible and legible labeling identifying the manufacturer, the month and year of manufacture, the model and the size. Labeling shall be uncoded and either in English or a language common to the area where the helmets are to be distributed. The headgear shall also be labeled to the following effect:

1. This helmet is certified for non-motorized sports including bicycling; it is not for use with motorized vehicles or for competitive skiing.
2. No helmet can protect the wearer against all foreseeable impacts. However, for maximum protection, the helmet must be of good fit and all retention straps must be securely fastened to retain the helmet. The helmet, when fitted and fastened, shall not be removed easily.
3. This helmet is so constructed that the energy of an impact may be absorbed through its partial destruction, though damage may not be visible. If it suffers an impact, it must either be returned to the manufacturer for inspection or be destroyed and replaced.

If any of the helmet components are sensitive to common solvents, adhesives, paints or cleansers; the helmet must also bear labels to the following effect:

This helmet can be seriously damaged by some common substances without visible damage. Apply only the following: (Recommended cleaning agents, paints, adhesives and the like as appropriate.)

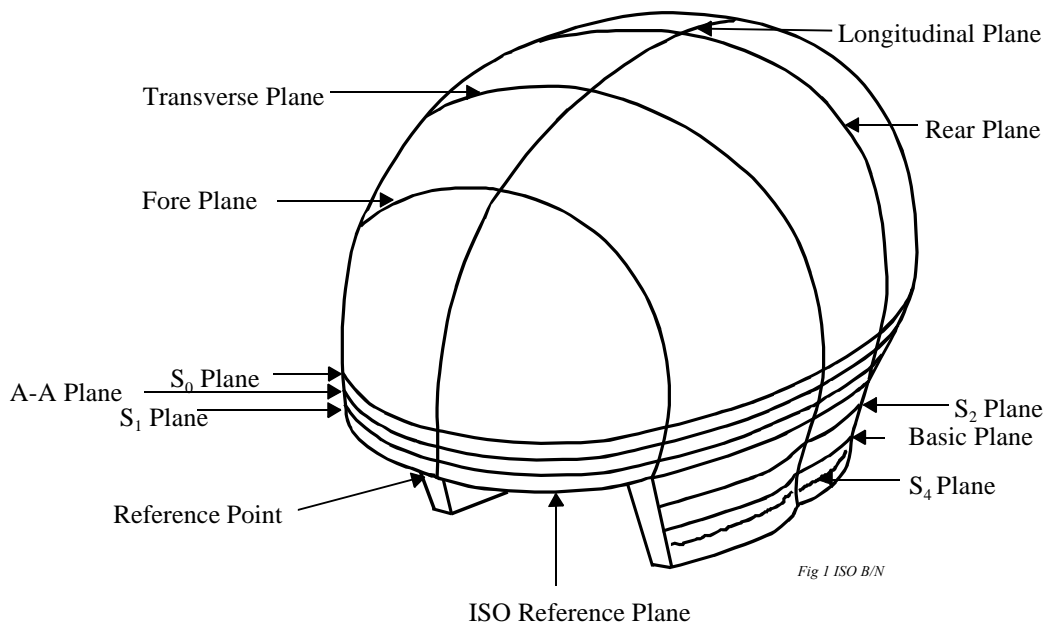
Each helmet shall also include one of the Foundation's serialized certification labels. The Snell certification label shall be placed either inside or on the outside of the helmet, as appropriate, in such a way that it cannot be removed intact.

The registered trademark (certification label) of the Snell Memorial Foundation may be used by the manufacturer only under license from the Snell Memorial Foundation. The specifics of licensure may be obtained from the Foundation.

EXTENT OF PROTECTION

The extent of protection corresponds to that region of the head for which protection is sought. This region is defined according to the geometry of five reference headforms: 'A', 'E', 'J', 'M' and 'O' which are described in International Standards Organization (ISO) Draft Standard ISO DIS 6220-1983.

There are a number of planes fixed in the geometry of these headforms as shown in Figure 1. This description of the extent of protection uses the ISO definitions of the basic plane, the longitudinal plane, the transverse plane and the reference plane. Since the reference plane



ISO DIS ---- 6220-1983

Figure 1

used in conjunction with earlier Snell Standards does not correspond at all to the definition for the ISO reference plane, a new S0 plane has been defined. Other planes have also been defined strictly for convenience and clarity.

The basic plane corresponds to the anatomical plane (Frankfort plane) that includes the

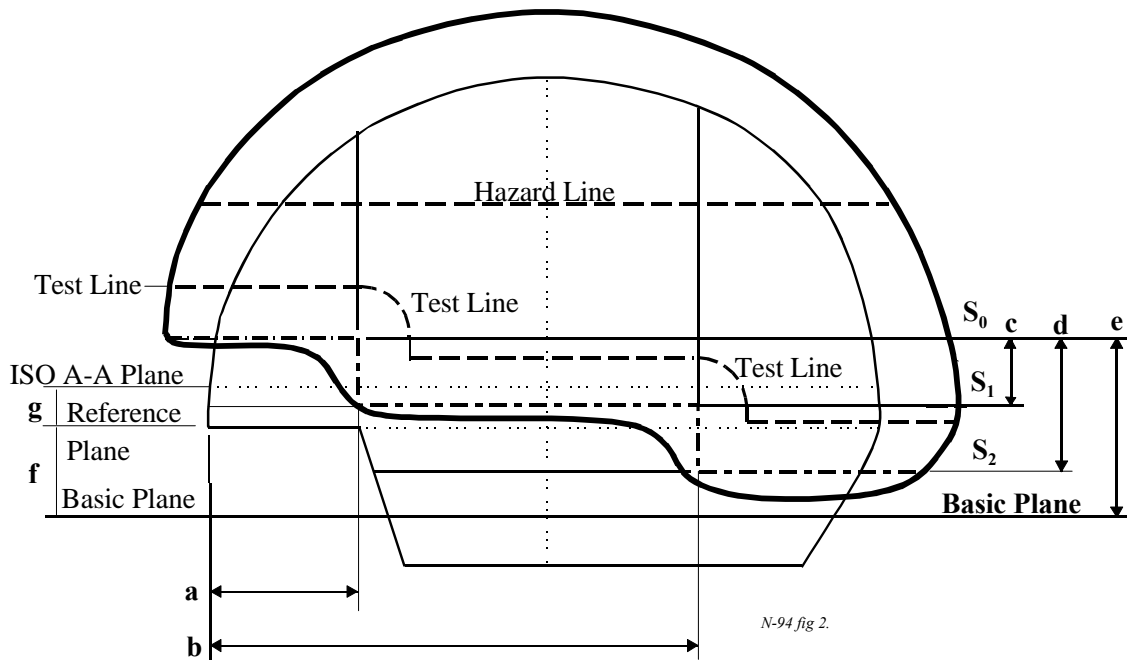


Figure 2 Extent of Protection

Headform	a	b	c	d	e	f	g
ISO A	39	128.6	17.4	34.8	46.8	24	12.7
ISO E	42.2	139	18.8	37.6	50	26	12.7
ISO J	45.2	148.4	20	40	53	27.5	12.7
ISO M	47.4	155.8	21	42	55.2	29	12.7
ISO O	49.2	161.5	21.7	43.5	57.2	30.0	12.7

Dimensions in MM

auditory meatuses and the inferior orbital rims. The longitudinal or midsagittal plane is perpendicular to the basic plane and is the plane of symmetry dividing the right half of the headform from the left. The transverse or coronal plane is perpendicular to both the longitudinal and basic planes. It corresponds to the anatomical plane that contains the two auditory meatuses and divides the front from the rear portions of the head. The reference plane is parallel to the basic plane and lies above it at a distance determined by the size of the headform: 24 mm, 26 mm, 27.5 mm, 29 mm and 30 mm for the 'A' through 'O' headforms respectively.

These four planes are all well known entities. The remaining planes, however, have been defined purely for the purposes of this Standard. The S0 plane is parallel to the basic plane and lies above it at a distance determined by the size of the headform: 46.8 mm, 50 mm, 53 mm, 55.2 mm and 57.2 mm for the 'A' through 'O' headforms respectively.

The rear plane divides the rear third of the head from the front two thirds. It is parallel to the transverse plane and lies at a given distance behind the point where the reference plane and longitudinal planes intersect with the front surface of the headform. The distance from this point, hereafter called the reference point, is determined by the size of the headform: 128.6 mm, 139 mm, 148.4 mm, 155.8 mm and 161.5 mm for the 'A' through 'O' headforms respectively.

The fore plane is also parallel to the transverse plane. It too lies behind the reference point at a distance determined by the size of the headform: 39 mm, 42.2 mm, 45.2 mm, 47.4 mm and 49.2 mm for the 'A' through 'O' headforms respectively.

The S1 plane is parallel to the S0 plane and the basic plane and lies between them at a distance of 17.4 mm, 18.8 mm, 20 mm and 21 mm below the S0 plane for the 'A' through 'M' headforms respectively. The S2 plane is also parallel to the S0 plane and lies below it a distance of 34.8 mm, 37.6 mm, 40 mm, 42 mm and 43.5 mm for the 'A' through 'O' headforms respectively.

The S4 plane is also parallel to the S0 plane and lies below it at a distance of 52.2 mm, 56.4 mm, 60 mm, 63 mm and 64.5 mm for the 'A' through 'O' headforms respectively.

The extent of protection provided by the helmet must include the entire region above the S0 plane and forward of the fore plane, the entire region above the S1 plane and between the fore and rear planes and the entire region above the S2 plane and behind the rear plane. (See Figure 2.)

TESTING

A. Helmet Positioning

Each helmet will be positioned on the appropriate headforms for testing according to the helmet positioning indices specified. If the manufacturer fails to provide positioning information with certification samples, the helmets will be positioned according to the best judgement of the test technician. If the helmets meet certification requirements, the helmet positioning indices will be those used in all future testing.

These helmet positioning indices represent distances on the headform measured from the basic plane along the intersection with the longitudinal plane to the lower edge of the helmet.

Helmet positioning indices will be assigned for all headform sizes appropriate to the headgear. Each headgear could conceivably require five helmet positioning indices, one each for the 'A', 'E', 'J', 'M' and 'O' headforms.

B. Inspection

Each helmet will be inspected for the required labels and for compliance with the general limitations made on structure. The weight and various circumferences will be recorded for comparison with other samples of the same make and model.

Some helmets may incorporate innovations and other features not anticipated by this Standard but which raise concerns about the safety and effectiveness of the headgear. These will be referred to members of the Foundation's Board of Directors for evaluation. Any feature found to reduce the protective capacity of the headgear, whether explicitly mentioned in this Standard or not, will be a cause for rejection.

C. Marking

The helmet is positioned upon the largest appropriate ISO headform and held in place with an applied force of 50 newtons (11.25 lbs). The intersections of the shell with the various defined planes are then traced onto the outer surface of the helmet in the following manner: The level of the S0 plane is marked on that portion of the helmet in front of the fore plane. If any part of this line falls below the edge of the helmet, the helmet shall be rejected. The level of the S1 plane is marked on that portion lying between the fore and rear planes. The level of the S2 plane is marked on that portion behind the rear plane. If any part of this line starting from 10 mm behind the rear plane and continuing around the back of the helmet to within 10 mm of the rear plane on the other side falls below the edge of the helmet, the helmet shall be rejected. Finally, line segments along the fore plane are marked to join the S0 and S1 planes and, similarly, line segments along the rear plane are marked to join the S1 and S2 planes. The helmet may be designed so that parts of these descending line segments, the segments marking the S1 plane, and some portion of the first 10 mm of the segment marking the S2 plane fall outside the edges of the helmet; this shall not be a cause for rejection.

These lines enclose the top of the helmet and are the boundary of the extent of protection. A test line indicating the limit at which test impacts may be sited all be drawn within this extent of protection so that it is 15 mm from the closest point on the boundary. A second line shall be

drawn on the helmet 45 mm above the S0 plane. This hazard line will mark the upper limit at which test impacts against the hazard anvil may be sited. (See Figure 2)

If identical helmets are to be configured with different thicknesses of comfort padding to accommodate different ranges of head size, the extent of protection marked on the test samples shall include the extents of protection for each different configuration as marked on the largest headform appropriate for each. That is: the helmet must meet all the requirements of this Standard in each of the intended configurations.

D. Peripheral Vision

The clearance for peripheral vision will be checked by placing the helmet on each appropriate ISO headform, positioning it according to the apposite helmet positioning index and holding it in place with a force of 50 newtons. The clearance must include the following solid angles to the front of the headform:

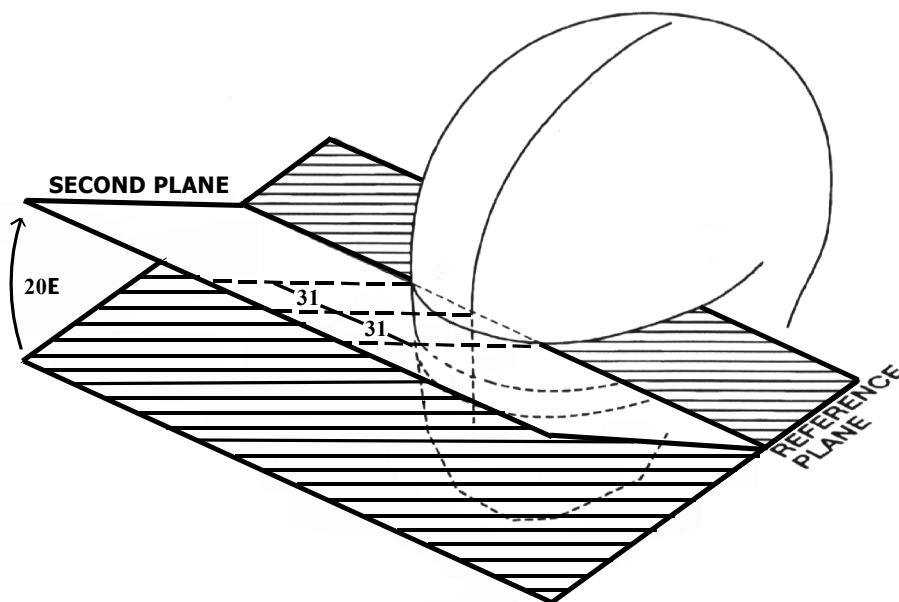


Figure 3 upward Visual Clearance

1. The upward visual clearance.
2. The lateral visual clearance.
3. For full face helmets, the downward visual clearance except for the breath deflector allowance.

The upward visual clearance is the solid angle bounded by the reference plane of the headform and a second plane tilted 20E up from the reference plane. This second plane intersects the reference plane at two points on the front surface of the headform that are 31 mm to the right and left of the longitudinal plane as shown in figure 3.

The lateral visual clearance, as shown in figure 4, is the solid angle bounded by the reference plane, the S4 plane and two more planes that are perpendicular to the reference plane and that contain the reference point on the front of the headform. One of these two planes forms

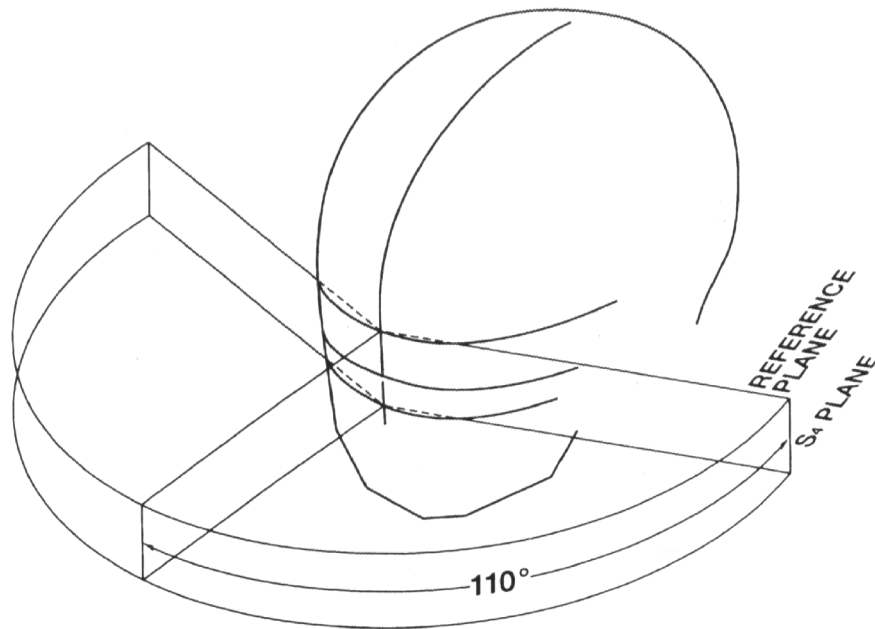


Figure 4 Lateral Visual Clearance

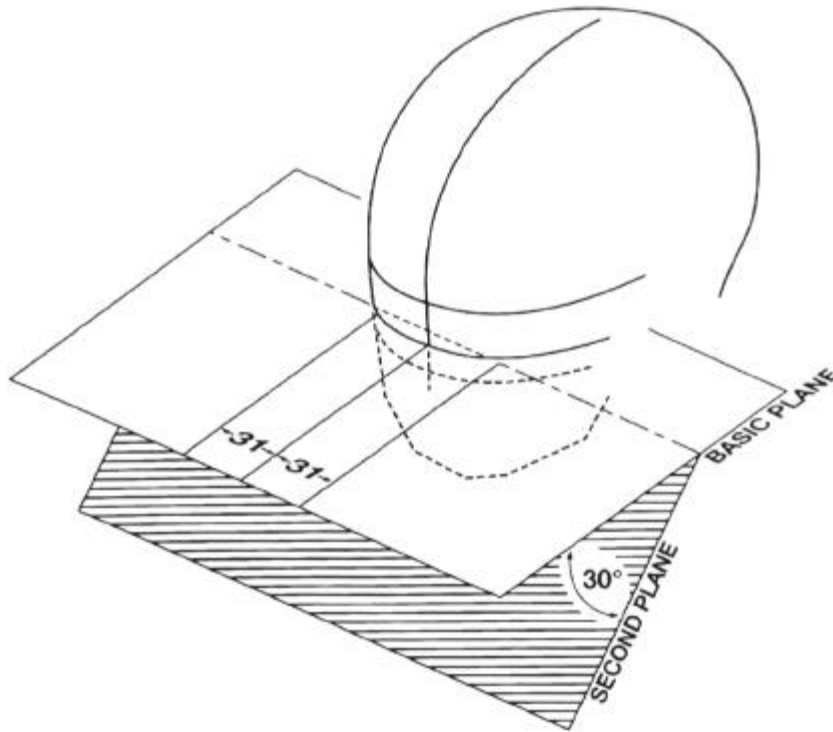


Figure 5 Downward Visual Clearance

an angle of 110E with the longitudinal plane and lies to the left of the headform. The other forms the same angle to the right of the headform.

The downward visual clearance is the solid angle bounded by the basic plane of the headform and a second plane tilted 30E down from the basic plane that intersects it at two points on the front surface of the headform that are 31 mm to the right and left of the longitudinal plane as shown in figure 5. However, intrusions into this downward clearance are permitted so long as the intrusions are within the breath deflector allowance.

The breath deflector allowance is shown in figure 6. It includes the region that is within 31 mm to the right and left of the longitudinal plane and that lies below the two planes that form 45E angles with the longitudinal plane and that intersect it at the level of the S4 plane.

E. Performance Testing

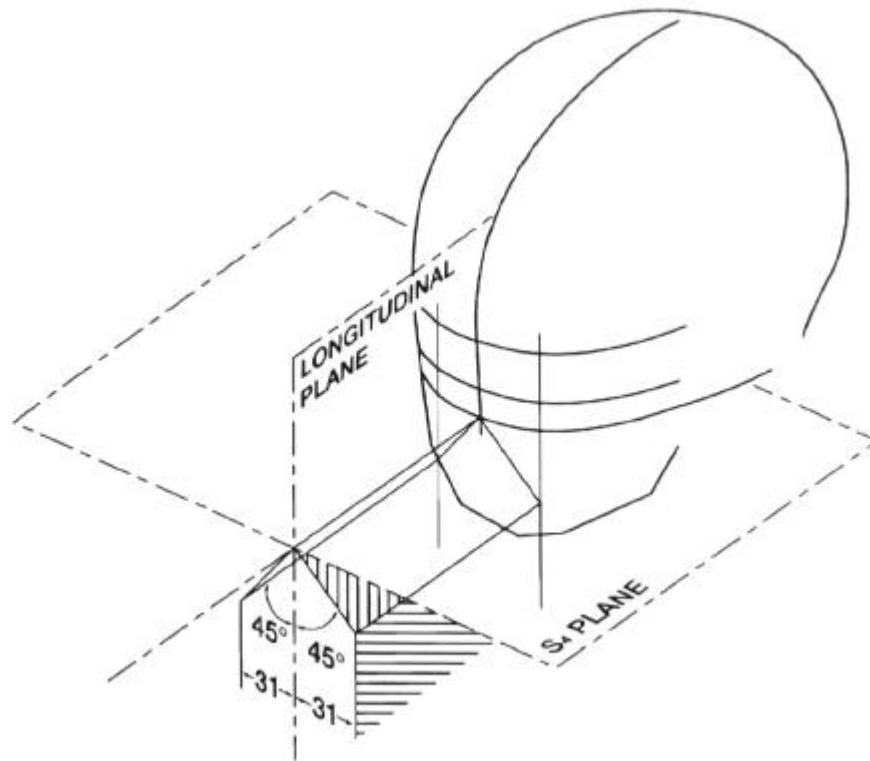


Figure 6 Breath Deflector Allowance

The performance testing first subjects helmets to a dynamic test of retention system strength or to a test for positional stability. The helmets are then subjected to four conditioning impacts and then to several impact management and penetration tests. These tests are conducted upon helmet samples either kept under laboratory ambient temperature and humidity or that have been conditioned in one of three environments simulating some of the conditions in which the helmet might reasonably be expected to be used.

In certification testing, the first of the five samples is kept at laboratory ambient temperature and humidity and allowed to come to equilibrium. It is subjected to the positional stability test and then to the conditioning impacts and the impact management and penetration tests. The second, third and fourth samples are conditioned hot, cold and wet, respectively and a fifth sample is conditioned either hot, cold or wet according to the best judgement of the test

technician. The second through the fifth samples are subjected to the dynamic test of the retention system and then to the conditioning impacts and to the impact management and penetration tests.

In random sample testing, the sample may be at ambient temperature and humidity and subjected to either the test for positional stability or to the dynamic test of the retention system before being tested for impact management and penetration. Otherwise, the sample may be conditioned either hot, cold or wet and subjected to the dynamic test of the retention system before the impact conditioning and the tests for impact management and penetration.

E1. Conditioning for Testing

a. Cold. The sample shall be conditioned by being exposed to a temperature of $-20^{\circ}\text{C} \pm 2^{\circ}\text{C}$ for a period of not less than four (4) hours, nor more than twenty-four (24) hours.

b. Heat. The sample shall be conditioned by being exposed to a temperature of $50^{\circ}\text{C} \pm 2^{\circ}\text{C}$ for a period of not less than four (4) hours, nor more than twenty-four (24) hours.

c. Wet. The sample shall be conditioned by being continuously sprayed with water at a temperature of $25^{\circ}\text{C} \pm 5^{\circ}\text{C}$ for a period of not less than four (4) hours, nor more than twenty-four (24) hours. This spray shall be directed at the helmet's external surfaces. The helmet shall not be subjected to total immersion.

All testing of these hot, cold and wet helmets shall begin within two (2) minutes from the time of removal from the conditioning apparatus. The samples shall be returned to the conditioning apparatus between tests.

E2. Positional Stability

The test for positional stability shall only be applied to samples kept at ambient laboratory temperature and humidity. The helmet shall not have been subjected to any prior performance testing.

The helmet shall be tested on the smallest appropriate standard full-face headform. The headform shall be supported on a stand so that its vertical axis points downward at an angle of 45E to the direction of gravity. The helmet shall be placed on the headform and adjusted to obtain the best configuration of the retention system. An inertial hammer shall be suspended using a hook and wire rope from the edge of the helmet at the upper side. This inertial hammer shall enable a 4.0 kg \pm 50 g mass to be dropped 0.6 m guided fall in order to deliver an abrupt shock load to the headgear. This test shall be performed with the headform oriented face down so that the shock load tugs the helmet toward the front and with the headform facing up so that the helmet is tugged rearward. The helmet may be shifted but must remain on the headform.

The inertial hammer shall be such that its mass is no more than 5.0 kg including the 4.0 kg shock mass.

E3. Dynamic Test of Retention System

The dynamic test of the retention system may be applied to any sample either kept at ambient temperature and humidity or conditioned hot, cold or wet. However, the sample shall not have been subjected to any prior performance testing.

The helmet shall be placed on a headform in such a manner that the chin strap may be fastened under a device whose upper end approximates the contour of the bony structure of the jaw. The device will then be given a mechanical pre-load followed by a dynamic loading. The retention system fails if it cannot support the mechanical loads or if the maximum deflection during

the dynamic load exceeds 30 mm. The retention system also fails if it cannot be easily and quickly unfastened after testing.

a. This chinstrap loading device shall consist of a simulated jaw attached to an inertial hammer. The jaw portion shall consist of two freely spinning metal rollers mounted in a rigid frame. The rollers shall be each $12.7 \text{ mm} \pm 0.5 \text{ mm}$ in diameter and separated by $76 \text{ mm} \pm 1 \text{ mm}$ on center. The inertial hammer shall be suspended from the frame midway between the rollers and shall permit a mass of 4 kg to be dropped in a guided fall of at least 60 cm to a rigid stop such that the entire shock of the stop shall be delivered through the hammer and frame to the rollers. The mass of this device including the 4 kg drop weight shall be $11 \text{ kg} \pm 0.5 \text{ kg}$.

b. Once the helmet is on the headform and the chinstrap buckled under the rollers, the entire mass of the chinstrap loading device shall be suspended from the chinstrap for at least 60 seconds.

c. A baseline position for the device shall be marked and the 4 kg mass shall then be raised 60 cm and released to fall to the rigid stop. The peak dynamic deflection of the device from the baseline shall be recorded.

E4. Impact Management and Penetration Tests

The impact management and penetration tests may be performed on samples kept at ambient temperature and humidity or conditioned hot, cold or wet. Samples may be first subjected to either positional stability testing or the test for retention system strength.

These tests involve a series of controlled impacts in which the helmet is positioned on a test headform. The helmeted headform is then dropped in guided falls onto specified test anvils. The impact site and the impact energy must meet certain requirements in order for the tests to

be valid. If in a valid test, the peak acceleration imparted to the headform exceeds 300 G's, the helmet shall be rejected.

E4.1 Impact Management and Penetration Test Equipment

The test equipment shall consist of at least the following items:

a. The smallest of the headforms appropriate for the helmet sample. This headform shall be of rigid, low resonance metal such as magnesium alloy and shall conform to the 'A', 'E', 'J', 'M' or 'O' geometries specified in ISO DIS 6220-1983.

b. A ball-arm/collar assembly which is fitted to a socket machined into the base of the headform. The ball/socket configuration shall be such that the geometrical center of the ball is located on the central vertical axis of the headform 12.7 mm above the reference plane as described in ISO DIS 6220-1983. The ball-arm/collar assembly shall also include a uniaxial accelerometer fixed firmly into the ball.

c. A headform support assembly rigidly attached to the ball-arm. This support assembly shall be such that it and consequently the headform may be guided in a vertical drop. The weight of the support assembly shall not exceed 25% of the combined weights of the headform, ball-arm, collar and accelerometer. The total mass of the headform/support assembly shall not be less than 4.9 kg nor more than 5.1 kg.

d. A guidance system such that the headform/support assembly may be guided in vertical drop onto a test anvil. This guidance system may consist of two or more wires or one or more rails. The headform/support - guidance system - test anvil alignment shall be such that:

d1. The drop trajectory shall be a straight line within 3E of vertical and within 5 of the sensitive axis of the uniaxial accelerometer.

d2. The line parallel to the drop trajectory and passing through the center of the headform ball-socket shall pass within 5mm of the center of the test anvil, within 10mm of the center of gravity of the headform/support assembly, and within 5mm of the sensitive element of the uniaxial accelerometer.

e. A rigid anvil mount consisting of a solid mass of at least 135 kg. The upper surface of the anvil mount shall consist of a steel plate with a minimum thickness of 12mm and a minimum surface area of at least 0.10 m².

f. Four test anvils : flat, hemispherical, hazard and curbstone.

f1. The flat anvil shall have a minimum surface area of 0.0127 m², e.g. 127 mm diameter face. When fixed in position on the anvil mount, the surface shall be perpendicular to the headform trajectory.

f2. The hemispherical anvil shall have a 48 mm ± 0.5 mm radius.

f3. The hazard anvil shall have two faces with a dihedral angle of 90E with each face at 45E to the horizontal and meeting along a vertical striking edge with a radius no greater than 0.5 mm. The height shall be not less than 50 mm and the length not less than 200 mm. a striking face 6.3 mm wide by at least 180 mm long with a depth of at least 35 mm. When in position, the striking edge shall be perpendicular to the headform trajectory.

f4. The curbstone shall have two faces with a dihedral angle of 105E, each face shall be oriented at approximately 52.5E to the vertical meeting along a striking edge with a radius of 15 mm ± 0.5 mm, the height shall be not less than 50 mm and the length not less than 200 mm. When in position, the striking edge shall be perpendicular to the headform trajectory.

g. A uniaxial accelerometer. The acceleration data channel must comply with SAE recommended practice J 211 requirements for channel class 1000 with the exception that the

frequency response need not include the range from dc to 10 hz which may not be obtainable using certain types of transducers.

h. A velocity measurement device which will yield the velocity of the headform/support assembly within the last 40 mm of travel before impact. The velocity measurements must be accurate to within $\pm 1\%$.

E4.2 Test Definitions

a. The impact site refers to the portion of the helmet struck during an impact test. It is defined as the point where a line passing through the center of the headform ball and the center of the anvil intersects the outer surface of the helmet at the instant the helmet first touches the anvil. The impact site is not necessarily the point of first contact between the helmet and anvil.

b. The impact energy is the kinetic energy of the headform/support assembly at the instant of impact. It is defined as the mass of the headform/support assembly times the square of the velocity measurement times one half. The mass of the helmet is ignored in this calculation.

c. There are two levels of test: the first is the standard level used to identify those helmets which definitely meet this standard and which is applied to samples submitted for certification testing and to those acquired for the Foundation's random sample test (RST) program. The second is the deviation level which is applied to samples in for second round RST procedures, that is: testing of samples of currently certified models for which previous samples have obtained failing results in RST testing.

E4.3 Test Impacts

Samples will be subjected to no more than four test impacts. Test impact sites for the flat, hemispherical and edge anvils shall be anywhere on or above the test line. Test impact sites for

the hazard anvil shall be anywhere on or above the test line and on or below the hazard line. The striking edges of the hazard and curbstone anvils may be oriented in any direction within the horizontal plane regardless of proximity to the test or hazard lines so long as the impact is properly sited. Rivets, vents and any other helmet feature within these siting regions are valid test sites.

The definitions of impact site and the test and hazard lines are such that it is expected that for some tests and some helmet configurations there will be contact between the anvil surfaces and portions of the helmet outside the permitted test areas. Such contacts are permitted so long as the defined impact site is on or within the bounds of the permitted test area.

If a test impact is sited closer than 120 mm to any previous test impact site on that sample, that impact shall be declared invalid.

There is no restriction regarding test anvil selection. The impact energies for each test impact are as follows:

a. For each impact against the flat anvil, the impact energy shall be 110 J for all standard level testing and 105 J for all deviation level testing regardless of headform size or weight. Given an ideal frictionless mechanical test facility, this standard level impact energy represents a 2.2+ meter drop of a 5 kg headform and supporting assembly.

b. For each impact against the hemispherical anvil, the impact energy shall be 65 J for all standard level testing and 60 J for all deviation level testing regardless of headform size or weight. Given an ideal frictionless mechanical test facility, this standard level impact energy represents a 1.2+ meter drop of a 5 kg headform and supporting assembly.

c. For each impact against the hazard anvil, the impact energy shall be 65 J for all standard level testing and 60 J for all deviation level testing regardless of headform size or

weight. Given an ideal frictionless mechanical test facility, this standard level energy represents a 1.3+ meter drop of a 5 kg headform and supporting assembly.

d. For each impact against the curbstone anvil, the impact energy shall be 65 J for all standard level testing and 60 J for all deviation level testing regardless of headform size or weight. Given an ideal frictionless mechanical test facility, this standard level impact energy represents a 1.2+ meter drop of a 5 kg headform and supporting assembly.

e. If the impact energy for any test impact exceeds the energy specified by more than 3%, that impact shall be declared invalid.

Please Note: The impacts described above are based on specific energies and not prescribed drop heights. To attain the proper energy for an impact, it is likely that the drop height will need to be adjusted to compensate for frictions inherent in most mechanical helmet testing systems. Height adjustments for these frictions should not account for more than 10% of the total drop height.

E4.4 Impact Test Interpretation

The peak acceleration of the headform shall not exceed 290 G's for any valid certification or RST test impact nor 300 G's for any valid deviation level test impact. Similarly, the helmet's protective structures shall remain intact throughout the testing. If, the test technician concludes that the headgear has been compromised by breakage, the sample shall be rejected.

If, in certification testing, a sample is found to meet all the test criteria but any two of the impacts were at substantially lower energies than those required, the testing for that sample shall be declared inconclusive and must be repeated.

The impact test procedures leave considerable latitude to the helmet tester regarding site and anvil selection. It is expected the tester will orchestrate each test series in order to investigate potential weaknesses in the helmet structure and to exercise each likely failure mode.

If at the end of a certification test series, the tester and the laboratory manager concur that the results obtained in valid impacts are not sufficient to determine whether that the helmet model meets the performance requirements of this standard, additional samples may be conditioned and tested. It is expected that all samples submitted will meet all the test requirements.

E5. Chin Bar Test

The chin bar test applies to full face helmets only. At least one helmet in each certification series shall be tested. The helmet shall be firmly mounted on a rigid base so that the chin bar faces up and the reference plane is at 65 ± 5 from horizontal. A mass of $5 \text{ kg} \pm .2 \text{ kg}$ with a flat striking face of 0.01 m^2 minimum area shall be dropped in a guided fall so as to strike the central portion of the chin bar with an impact velocity of $2.8 \text{ m/sec} \pm 0.2 \text{ m/sec}$. The maximum downward deflection of the chin bar must not exceed 60 mm nor any component fail so as to cause a potential injury to the wearer.