

2020 SPECIAL APPLICATIONS STANDARD FOR PROTECTIVE HEADGEAR

For Use in Competitive Automotive Sports

Special Note to Helmet Users

There are four reasons for you to be interested in this Standard:

1. Auto racing imposes risks of death or permanent impairment due to head injury.
2. The proper use of protective helmets can minimize the risk of death or permanent impairment.
3. The protective capacity of a helmet is difficult to estimate, particularly at the time of purchase or use. Protective capability is currently measured by destructive testing which is beyond the means of most helmet wearers.
4. Snell certification backed by ongoing destructive testing samples taken randomly from dealers and distributors identifies those helmet models providing and maintaining the highest levels of head protection.

Six of the most critical elements affecting a helmet's protective properties are:

1. Impact management - how well the helmet protects against collisions with large objects.
2. Helmet positional stability - whether the helmet will be in place, on the head, when it's needed.
3. Retention system strength - whether the chin straps are sufficiently strong to hold the helmet throughout a head impact.
4. Extent of Protection - the area of the head protected by the helmet.
5. Flame Resistance - whether the helmet will withstand exposure to direct flame.

This flame resistance may well mean survival for well belted drivers and

passengers in a crashed vehicle where a few seconds of additional time may enable escape or rescue.

6. Frontal Head Restraints – whether the helmet is appropriate for use with tether systems intended to divert the inertial load of the wearer's head and helmet away from the cervical spine in crash impact conditions.

This Standard describes simple tests for all of these items. However, the tests for the second item, helmet stability, of necessity presume that the helmet is well matched to the wearer's head and that it has been carefully adjusted to obtain the best fit possible. Unless you take similar care in the selection and fitting of your own helmet, you may not obtain the level of protection that current headgear can provide.

The Foundation recommends the simple, straightforward procedure recommended to consumers by most helmet manufacturers:

Position the helmet on your head so that it sits low on your forehead; if you can't see the edge of the brim at the extreme upper range of your vision, the helmet is probably out of place. Adjust the retention system so that when in use, it will hold the helmet firmly in place. This positioning and adjusting should be repeated to obtain the very best result possible. The procedure initially may be time consuming. Take the time.

Try to remove the helmet without undoing the retention system closures. If the helmet comes off or shifts over your eyes, readjust and try again. If no adjustment seems to work, this helmet is not for you; try another.

This procedure is also the basis of the test for helmet stability described in this Standard. This test performs the same steps but uses standard head forms.

However, you must still perform this procedure for yourself when buying a helmet and every time you wear a helmet. Only in this way will you be able to make all the proper adjustments to get the best fit possible. Furthermore, your test on your own head will be an improvement on ours; you will determine whether the helmet is appropriate for you personally.

There are several other important aspects of helmets to consider. Full face helmets provide a measure of protection from facial injuries. The external shell of these helmets includes a rigid "chin" guard that passes from left to right over the lower part of the face. The Foundation has devised special tests for the chin bars of full face helmets.

There are two varieties of full face helmets. The chin guard may be an integral, immovable part of the helmet but, in so-called "modular" or "flip-up" helmets the chin guard may be hinged so that, when released, it will pivot or flip up and out of the way for the rider's convenience. Modular helmets must meet all the same requirements as those equipped with integral chin bars with the additional requirement that the chin guard release mechanism must be sufficiently secure to prevent inadvertent opening in a crash impact.

Some helmets come with a separate structure which bolts to the helmet and which is intended to cover the lower part of the face. These removable chin bars are often intended to deflect small stones and debris encountered in some motor sports and may not be effective facial protection in falls and accidents. The Foundation does not test removable chin bars and considers any headgear equipped with them to be an open face helmet.

If a full face helmet is equipped with a face shield, it may also provide a measure of eye protection. The Foundation tests the face shields of full face helmets for particle penetration resistance. Face shields provided with open face helmets generally do not provide the same levels of eye protection and, for that reason are not considered.

The shells of both open and full face helmets should also provide a measure of protection from penetration. The Foundation tests the shells of both full and open face helmets for penetration resistance.

Effective headgear must be removable. Paramedics and other emergency personnel must be able to quickly remove headgear from accident victims in order to check for vital signs and to perform emergency procedures. The Foundation has devised tests and criteria for helmet removability.

The Foundation tests helmets for visual field. The helmet must provide a minimum range of vision as measured on standard head forms. However, the range of vision you obtain may vary considerably from our measurement.

It is also important to remember that the visual field requirements are based on the needs of people participating in well regulated and controlled events. For this reason, the requirements are considerably less than those the Foundation requires for street use headgear such as for motorcycle helmets. Be absolutely certain that the helmet and face shield permit you adequate vision for every intended use. Specifically, if your automotive racing helmet is only sufficient for controlled track events, don't use it for street motorcycling.

There are several important factors which the Foundation does not consider directly but which bear on the effectiveness of protective helmets. Be certain your helmet is wearable, that is, that it's comfortable and adequately ventilated when worn for prolonged periods. Few people will wear an uncomfortable helmet. A helmet that is not worn won't protect anyone.

FOREWORD

In a racing accident, drivers and passengers may suffer injury or death. Helmets on the market today offer varying degrees of protection, but the consumer has little basis for judging the relative effectiveness of a given model. This Standard presents rational methods for identifying those helmet models which definitely meet specified standards for impact (crash) protection and retention system strength and, afterwards, identifying those which definitely have ceased to meet those standards.

The Snell Foundation urges that protective helmets be required for all individuals participating in supervised racing events and encourages the general public to wear helmets which meet appropriate performance standards¹.

This 2020 Standard establishes performance characteristics particularly suited to the conditions of automotive racing which may include complete harness and restraint systems, elaborate roll cages and reduced visual field requirements. **This Standard does not establish construction and material specifications. The Foundation does not recommend specific materials or designs.** Manufacturers

¹The Foundation has also published Standards for headgear used in bicycling, non-motorized sports, motorcycling, competitive skiing, skiing and snowboarding and equestrian activities. Copies of these Standards are available upon request.

voluntarily submit helmets to be tested to this Standard and if the submitted helmets pass, a certification is issued.

The Foundation will make available the identity of those products which have been Snell certified but will not attempt to rank those products according to performance nor to any other criteria. Neither does the Foundation distinguish between the needs of participants in competitive events and those of the general public.

All of the requirements described herein, including both initial certification and random sample testing, are an integral part of this Standard. No helmet can satisfy the Standard unless it is subject to both certification and random sample testing by the Foundation.

Snell certification for protective headgear requires a specific contractual agreement between the primary headgear manufacturer and the Foundation. Certification procedures may be obtained upon application to the Foundation.

SNELL FOUNDATION is a registered certification mark and SA2020 is a certification mark of the Snell Foundation.

INTRODUCTION

This Standard addresses the problem of protecting the head from direct impact with surfaces or objects that might be encountered in a racing accident. The Standard prescribes direct measures of several factors bearing on a helmet's ability to protect the head as well as its general serviceability as automotive racing headgear. Thus, this Standard is directed towards the kinds of performance bearing on head protection

that may not readily be discernable by even knowledgeable consumers at the time of purchase.

Some of these performance requirements have been expressed in terms of limitations on the various components and features of the single general helmet configuration currently available. These expressions have been used only for the sake of clarity and should not be misinterpreted as requiring specific configurations or materials. As newer helmet technologies appear, these limitations will be re-examined and, perhaps, restated.

A racing helmet consists generally of a rigid head covering and a retention system composed of flexible straps and hardware. The rigid covering consists of a strong, stiff outer shell and a crushable liner. The stiff outer shell protects by its capacity to spread a concentrated load at its outer surface over a larger area of the liner and the wearer's head. The crushable liner protects the head from direct impact by its capacity to manage impact energy. Since there is no certain way to anticipate the severity of a head impact or whether the impact surface will be such that it will spread the load over the helmet or concentrate it at a single point, the most generally effective helmet will combine the strongest, stiffest possible outer shell with a liner chosen to limit the peak deceleration of the wearer's head to within tolerable limits.

Full face helmets including "modular" or "flip-up" helmets provide a measure of facial protection in addition to the impact protection generally sought. The principle feature of these is a chin bar that extends forward to cover the jaw area converting the facial opening into a visual port. Frequently, a face shield is also provided so that the wearer's face is completely covered.

In traditional full face helmets, the chin bar is an integral, immovable part of the helmet structure. In “modular” or “flip-up” full face configurations, the chin bar may be released to pivot about a hinge up and away from the face. The security of the chin bar closure is of special concern. Most of the tests prescribed in this standard will be conducted with the chin bar closed and secured; failure of the chin bar closure will generally be a cause for rejection.

Although other helmets may be configured to allow the use of “bolt-on” chin bar elements, these helmets are not considered to be full face and are treated instead as open face configurations.

The retention system holds the headgear in position throughout normal usage and especially during falls and accidents, ensuring that the helmet will be in place to manage a direct impact. This Standard applies two different tests to the retention system. The first of these tests for stability by fitting the headgear to a standard head form and then attempting to displace it by applying tangential shock loadings. The second tests retention system strength by applying a shock load to the system components through a simulated chin.

The quality of the fit and the care taken with the adjustments are absolutely critical elements in these tests. **The manufacturer must provide suitable guidance so that the wearer will be able to select and adjust headgear to obtain the necessary quality of fit and positional stability.**

The capacity for impact protection is determined by direct measurement of the shock delivered through the helmet to a head form when the helmeted head form is dropped in a specified manner onto any of three unyielding anvils. A fourth anvil is

used to test impact protection for repeated strikes against a roll cage assembly. In addition to meeting all other test criteria, the chin bar closure on flip up helmet configurations must remain securely engaged for the first three impact tests conducted on any helmet sample.

Most racing helmets are intended to accommodate a range of head sizes and shapes. Various thicknesses of resilient padding are sometimes placed within otherwise identical helmets during production or during fitting to configure the helmet to several different ranges of head size. This resilient padding does not significantly affect the way the helmet absorbs and attenuates impact and is not directly addressed in this Standard.

The helmet must also resist penetration by sharp edged and pointed projections and projectiles. This capacity is tested by placing the helmet on a head form and dropping a metal cone of specified mass and geometry onto the shell. The tip of this cone must not penetrate to the head form.

Similarly, the helmets must resist chemical attack by bodily fluids as well as solvents and chemicals associated with motorsports. This capacity may be tested by applying a solvent mix before further conditioning and testing.

Since auto racing drivers are frequently unable to escape quickly from accident involved vehicles, their helmets must also provide a measure of protection against fire. Exposed helmet components, whether internal or external, must be flame resistant. They must not be combustible and, when exposed to high temperatures, must self extinguish when the heat load is removed.

Helmet components are tested separately for flame resistance by exposing them to a direct propane flame of a specified temperature for specified time periods. When the flame is withdrawn, each of these components must self extinguish within a specified time limit. Furthermore, when the helmet shell is tested, the temperature of the padding or lining materials within the helmet that would presumably touch the wearer's head must not exceed 70°C.

The chin strap must also be flame resistant. The chin strap will be tested similarly to other helmet components. It must not melt and must self extinguish within the allowed time.

For full face helmets, this Standard tests the rigidity of the chin bar by dropping a weight onto it at a specified velocity so as to attempt to force the chin bar toward the interior of the helmet. The chin bar must not deflect more than a specified amount and, if the helmet is a flip-up configuration, the chin-bar must remain securely closed.

If a face shield is provided with a full face helmet, then this face shield must resist penetration by small particles. A sharp lead pellet of a specified weight is directed into the face shield at a specified velocity. The pellet must not penetrate into the helmet interior.

This face shield must also withstand a flame resistance test. As with other components, the face shield must be self extinguishing within an allotted time. Furthermore, the face shield must not melt down allowing the flame to reach the interior of the helmet. Also, this face shield must have a positive "hold down". Since inadvertent displacement of the face shield during racing could have disastrous consequences, the only way to remove or raise the face shield from its normal

operating position must involve the deliberate disengagement of some catch mechanism. Friction mechanisms will not satisfy this requirement.

Auto racing helmets must also include accommodations for frontal head restraints. These consist of a metal inserts in the helmet shell which will allow the attachment of tether mounts appropriate to one of several available frontal head restraint systems. Requirements for these inserts are described in FIA 8858-2010 Frontal Head Restraints. Helmet owners who select and install their own tether mount hardware must take care to use only appropriate equipment. The inserts are metric and may be permanently damaged by non-metric hardware.

This Standard also includes a test intended to determine whether the headgear may be removed from an unconscious accident victim quickly, easily and reliably in spite of any damage the headgear might reasonably be expected to sustain. Traditional helmet architectures have satisfied this requirement so readily that many Standards including previous Snell Foundation Standards have not mentioned it. Even so, it is unthinkable that a headgear might protect its wearer in an accident only to thwart attempts at rescue afterward.

Inadequate ventilation may render a helmet unwearable in hot climates, especially if the helmet is full faced. But this Standard makes no direct demands on either the quantity or quality of air flow to the wearer.

Other general features of racing helmets may include eyeshades and accommodations for goggles, and visibility enhancements such as bright colors and reflective surfaces. These features all deal with matters of safety and comfort that are

not directly addressed in this Standard but which merit the consideration of wearers as well as manufacturers.

Although helmet use has been shown to reduce the risk of head injuries significantly, there are limits to a helmet's protective capability. No helmet can protect the wearer against all foreseeable accidents. Therefore injury may occur in accidents which exceed the protective capability of any helmet including even those helmets meeting the requirements of this Standard.

A helmet's protective capability may be exhausted protecting the wearer in an accident. Helmets are constructed so that the energy of a blow is managed by the helmet, causing its partial destruction. The damage may not be readily apparent and the Foundation strongly recommends that a helmet involved in an accident be returned to the manufacturer for complete inspection. If it is not possible to do so, the helmet should always be destroyed and replaced.

Finally, the protective capability may diminish over time. Some helmets are made of materials which deteriorate with age and therefore have a limited life span. At the present time, the Foundation recommends that motor sports helmets be replaced after five (5) years, or less if the manufacturer so recommends.

CONSTRUCTION

A. General

The assembled helmet shall have smooth external and internal surfaces. Any feature projecting more than 7 mm beyond the outer surface must readily break away; all other projections on the outer surface shall be smoothly faired and offer minimal frictional resistance to tangential impact forces. Rivets and similar projections into the helmet interior must offer no laceration or puncture hazard. Restraint clips may be used at the rear or on the side of the helmet. The helmet shall provide as nearly uniform impact protection over the entire protected area as is possible.

If the absence of any detachable component of the helmet does not prevent its being worn, then this absence must not compromise either the retention system or the impact protection. If any part of the helmet detaches during testing, it must offer no laceration or puncture hazard nor reduce the coverage of the head.

If the manufacturer provides add-ons such as visors, face shields and neck curtains with the helmet, these add-ons must not lessen the protective capability of the basic helmet nor reduce the visual field below standard requirements nor create a direct hazard for the wearer.

B. Shell

If rivets are used, the heads shall not have sharp edges and shall not project more than 2 mm from the outer surface of the helmet.

C. Ventilation

Ventilation inlets and outlets may be used provided they are made of flexible materials such as rubber or vinyl plastic. Ports and fittings for forced air ventilation must comply with all the general requirements on helmet features. When connected to the forced air sources, these ports and fittings must not limit the range of motion of the head and must not interfere with a quick escape from the vehicle.

D. Materials

Ideally, materials used in the manufacture of the helmet should be of durable quality and not be harmed by exposure to sun, rain, dust, vibration, sweat or products applied to the skin or hair. Similarly, the materials should not degrade due to temperature extremes likely to be encountered in routine storage or transportation.

Materials which are known to cause skin irritation or are conducive to disease shall not be used for the parts which contact the skin. Materials which support the growth of fungi or algae shall not be used. Fabric lining or padding materials, if used, may be detachable for the purpose of washing so long as their absence does not degrade the protective capabilities of the helmet.

E. Finish

All edges of the helmet shall be smoothed and rounded with no rigid projections on the inside of the shell that might injure the wearer's head in the event of impact.

F. Retention System

The retention system shall be designed so as to discourage misuse. That is, of all the ways in which the retention system might be used, the design use shall be the simplest and quickest to implement. Helmets shall not be fitted with "non-essential"

features which, if misused, can degrade the performance. Quick release buckles, if used, shall not be able to be released inadvertently.

Fabric chinstraps, if used, shall not be secured to the shell by a bolt, pin or rivet passing through the fabric itself. Although other alternatives may be proposed, the preferred method of attachment is that the strap be looped through and sewn about a metal hanger which can then be secured to the shell by bolt, rivet or other appropriate means.

G. Peripheral Vision

The helmet shall provide peripheral visual clearance as measured using a reference head form appropriate to the size of the helmet. This peripheral vision includes a horizontal clearance of at least 180°, an upward clearance of at least 5° and a downward clearance of at least 20°. However, this downward clearance makes specific allowance for breath deflectors. These clearances are described in terms of planes fixed in the reference head forms.

Some competitive applications may require helmets with more restricted visual fields. When justified, special addenda to this Standard will define reduced visual fields, the procedures for determining whether a helmet satisfies the requirement and the additional labeling requirements warning that the headgear may be appropriate only for certain uses.

H. Sizing

The requirements of this standard are such that most helmets will perform optimally only when tested within a range of head circumferences. Outside this range, helmets may still provide a measure of protection but they may not meet requirements

for certification. The manufacturer must specify this entire range when helmets are submitted for certification. Later, when helmets are distributed for sale, every helmet shall include a permanent label indicating the range of head circumferences for which it is intended.

QUALIFICATIONS FOR CERTIFICATION

For qualification testing, helmets shall be in the same condition as those offered for sale. No helmet or component which has been subjected to any tests described in this Standard shall be offered for sale after testing. At least eight (8) and as many as ten (10) complete helmets must be submitted by the manufacturer for a certification test program for each distinct structural configuration of the models offered for sale. All but one of these samples will be destroyed in testing; the untested sample shall be retained for comparison and reference.

If different fit pad configurations are planned in order to accommodate this head gear for different size ranges, six of the samples submitted must be configured for the largest size range. The remaining samples may be configured for the smallest intended size. Additional samples representing other fit pad configurations may also be provided at the discretion of the submitter.

MODIFICATIONS

Cosmetic changes to certified headgear are permissible. Such changes are generally limited to marking or trimming the headgear with manufacturer approved paint or tape. Otherwise, modifications to certified headgear effectively create new configurations which shall not have the confidence and certification of the Foundation until properly evaluated. Manufacturers must not place the Foundation's certification label in any modified headgear without the Foundation's written authorization.

The Foundation recommends that helmet owners not modify or contract with someone else to modify their helmets. Any structural modification may adversely affect a helmet's protective capability. The Foundation's certification and, quite likely, all manufacturer warranties apply to the headgear only in its as manufactured condition.

RANDOM SAMPLE TESTING

In addition to the certification testing, the Foundation will routinely obtain and test samples of previously certified models. These samples will be selected from among those stocks intended for retail sale to consumers. In this manner, the Foundation will attempt to ensure that the helmets made available to the public continue to meet the performance requirements of this Standard.

For those cases in which helmets are provided directly to users and do not pass through a normal sales distribution system, the Foundation will set up alternative procedures to monitor certified products. Specifically, if helmets are provided directly to teams or individuals for use in events, the Foundation must have access to the helmets for spot checking and non-destructive evaluation.

LABELING AND MARKING

Each helmet shall have durable, visible and legible labeling identifying the manufacturer, the month and year of manufacture, the model and the size. Labeling shall be uncoded and either in English or a language common to the area where the helmets are to be distributed. The headgear shall also be labeled to the following effect:

1. The Certification ID#: This number consists of two alpha characters, four numerics, a hyphen and two more numerics indicating the year in which the certification was awarded. This certification id# is marked on the test reports, cover letter and the certificate awarded to the helmet maker shortly after the helmet met requirements, it identifies the tests and the archive samples on which the certification is based.
2. No helmet can protect the wearer against all foreseeable impacts. However, for maximum protection, the helmet must be of good fit and the retention system must be securely fastened to retain the helmet. The helmet, when fitted and fastened, shall not be removed easily.
3. This helmet is so constructed that the energy of an impact may be absorbed through its partial destruction, though damage may not be visible. If it suffers an impact, it must either be returned to the manufacturer for inspection or be destroyed and replaced.
4. Intended for head circumferences from XX cm through YY cm.

If any of the helmet components are sensitive to common solvents, adhesives, paints or cleansers; the helmet must also bear labels to the following effect:

This helmet can be seriously damaged by some common substances without visible damage. Apply only the following: (Recommended cleaning agents, paints, adhesives and the like) as appropriate.

If the helmet model was certified according to a special addendum to this standard, each helmet shall also include the warning labels required by that addendum.

Each helmet shall also include one of the Foundation's serialized certification labels. The Snell certification label shall be placed either inside or on the outside of the helmet, as appropriate, in such a way that it cannot be removed intact.

The registered trademark (certification label) of the Snell Foundation may be used by the manufacturer only under license from the Snell Foundation. The specifics of licensure may be obtained from the Foundation.

MARKING AND LABELING OF CRITICAL COMPONENTS

If a helmet component may reasonably be replaced with an inappropriate substitute that might degrade wearer safety and performance in any of the tests called out in this standard, the manufacturer must mark those components so that users may avoid the purchase and use of inappropriate replacement parts. In particular, face shields on full face helmets must be marked to identify the manufacturer and the month and year of manufacture.

HEAD FORMS

This standard invokes six standard head forms for helmet inspection, marking and testing. The geometry of these head forms is according to the definitions for the 'A', 'C', 'E', 'J', 'M', and 'O' head forms described in International Standards

Organization (ISO) Draft Standard ISO DIS 6220-1983. The impact mass specifications for the impact test phase are comparable to those in ECE 22-05 for these same head form designations.

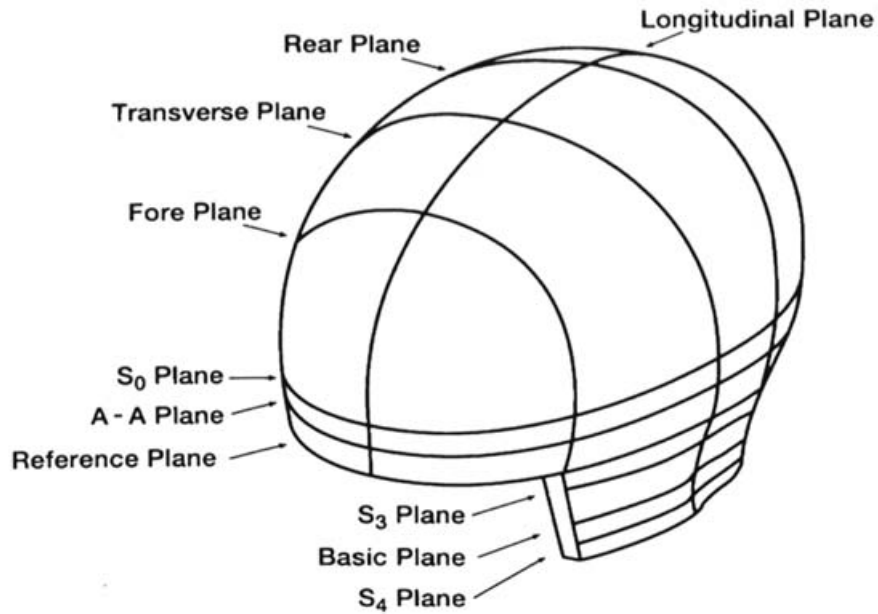


Figure 1. ISO Head Form ISO DIS 6220-1983

Table 1. Useful Head Form Parameters				
Head Form	Circumference	Total Mass (entire drop assembly)	Crown to Basic Plane	Basic to Reference Plane
A	50 cm	3.100 kg ± 100 g	113.5 mm	24.0 mm
C	52 cm	3.600 kg ± 100 g	118.0 mm	25.0 mm
E	54 cm	4.100 kg ± 100 g	122.0 mm	26.0 mm
J	57 cm	4.700 kg ± 100 g	130.0 mm	27.5 mm
M	60 cm	5.600 kg ± 100 g	136.0 mm	29.0 mm
O	62 cm	6.100 kg ± 100 g	140.0 mm	30.0 mm

ISO DIS 6220-1983 includes descriptions for half head forms suitable for guided fall impact testing or for full head forms such as those used in the positional stability tests. Figures 1 and 2 depict the general shapes of the half head form configuration. The table lists useful dimensions from the two references given above.

EXTENT OF PROTECTION

The extent of protection corresponds to that region of the head for which protection is sought.

There are a number of planes fixed in the geometry of these head forms as shown in Figure 1. This description of the extent of protection uses the ISO definitions of the basic plane, the longitudinal plane, the transverse plane and the reference plane. Other planes have also been defined strictly for convenience and clarity.

The basic plane corresponds to the anatomical plane (Frankfort plane) that includes the auditory meatuses and the inferior orbital rims. The reference plane is above and parallel to the basic plane. The longitudinal or midsagittal plane is perpendicular to the basic plane and is the plane of symmetry dividing the right half of the head form from the left. The transverse or coronal plane is perpendicular to both the longitudinal and basic planes. It corresponds to the anatomical plane that contains the two auditory meatuses and divides the front from the rear portions of the head.

These planes are all well known entities. Several other planes, however, have proven useful. The S_0 plane is parallel to the basic plane and lies above it at a distance determined by the size of the head form. The S_3 plane is parallel to the S_0 plane and the basic plane and lies between them. The S_4 plane is also parallel to these planes and lies below the basic plane.

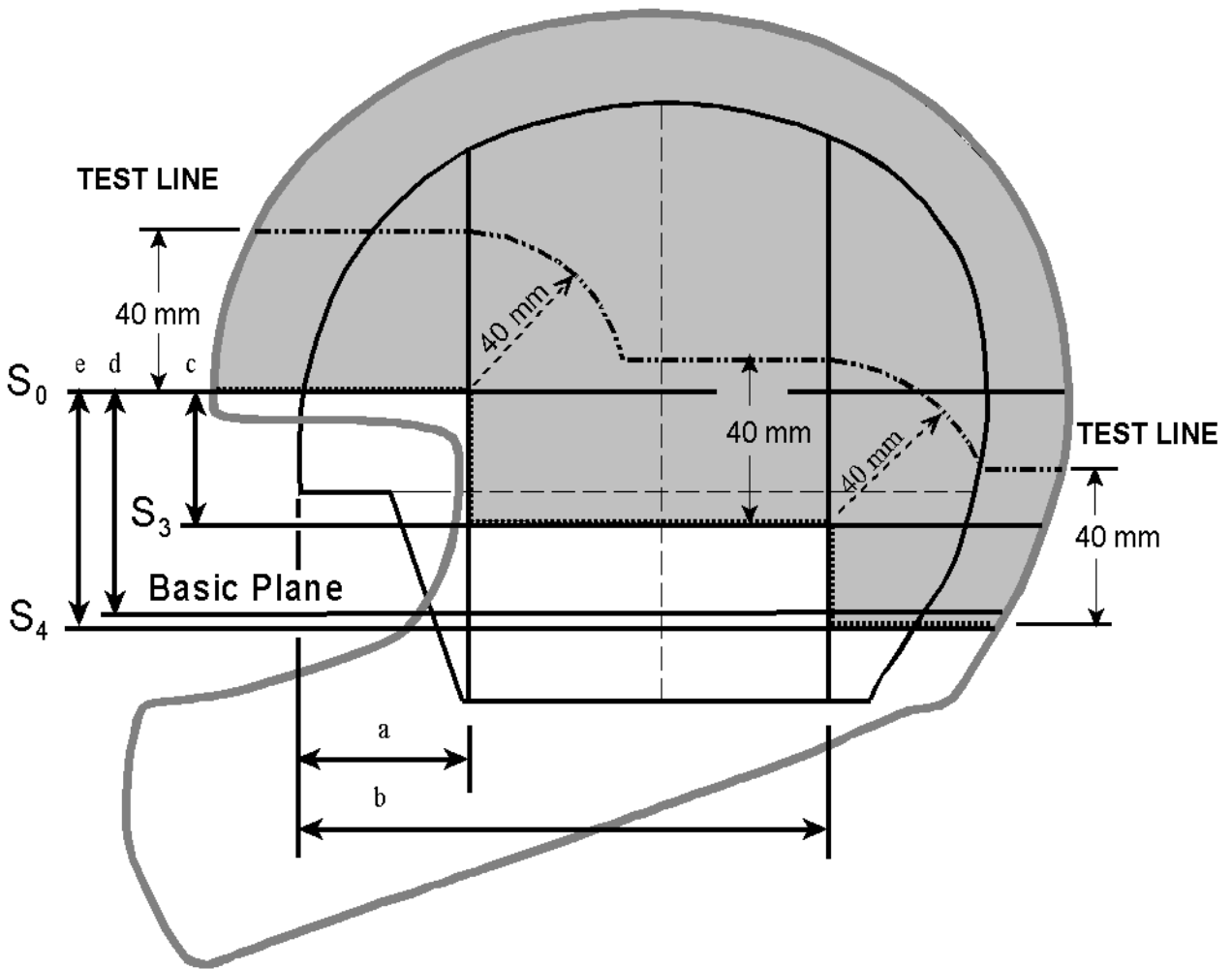


Figure 1. Extent of Protection

Table 2 Extent of Protection					
Head form Designation	Parameters				
	a	b	c	d	e
ISO A	39.0 mm	128.6 mm	26.1 mm	46.8 mm	52.2 mm
ISO C	40.6 mm	133.8 mm	27.2 mm	48.4 mm	54.3 mm
ISO E	42.2 mm	139.0 mm	28.2 mm	50.0 mm	56.4 mm
ISO J	45.2 mm	148.4 mm	30.0 mm	53.0 mm	60.0 mm
ISO M	47.4 mm	155.8 mm	31.5 mm	55.2 mm	63.0 mm
ISO O	49.2 mm	161.5 mm	32.2 mm	57.2 mm	64.5 mm

The rear plane divides the rear third of the head from the front two thirds. It is parallel to the transverse plane and lies at a given distance behind the point where the reference plane and longitudinal planes intersect with the front surface of the head form. The distance from this point, hereafter called the reference point, is determined by the size of the head form. The fore plane is also parallel to the transverse plane. It lies behind the reference point at a distance determined by the size of the head form.

The extent of protection provided by the helmet must include the entire region above the S_0 plane and forward of the fore plane, the entire region above the S_3 plane and between the fore and rear planes and the entire region above the S_4 plane and behind the rear plane. Figure 2 and the associated table lay out these additional defined features and show the extent of protection and the test line.

TESTING

A. Inspection

Each helmet will be inspected for the required labels and for compliance with the general limitations made on structure. Samples received for certification testing must incorporate all the critical component labels but other labeling is not necessary for evaluation. Samples received for RST (enforcement) testing must have all the required labels.

Some helmets may incorporate innovations and other features not anticipated by this Standard but which raise concerns about the safety and effectiveness of the headgear. These will be referred to members of the Foundation's Board of Directors for evaluation. Any feature deemed to reduce the protective capacity of the headgear, whether explicitly mentioned in this Standard or not, will be a cause for rejection.

B. Head Forms and Helmet Positioning

The determination of which head forms are appropriate to a helmet is based on the specified smallest and largest head circumferences for the helmet. For samples submitted for certification, this specification must include the smallest and largest values of head circumference for every possible fit pad configuration of the helmet. For helmets received for RST testing, the smallest and largest head circumferences will be taken directly from the helmet label.

If the smallest head circumference specified for the helmet is less than 50 cm, the A head form is the smallest appropriate. Otherwise, the smallest appropriate head form for a particular helmet is the largest of the six head forms whose circumference is no greater than the manufacturer's specified smallest circumference. The largest appropriate head form is the largest of the six specified head forms whose circumference is no greater than the manufacturer's specified largest circumference.

If the test samples are determined to be too small to accommodate the largest head form identified as appropriate, the next smaller head form shall be considered the largest appropriate. If the samples are too small for even the smallest appropriate head form as indicated by the manufacture specification, the samples shall be rejected for certification.

Table 3. Test Head Forms as Determined by Size Specification							
		Largest Size Specified					
		50 - 51	52 - 53	54 - 56	57-59	60 - 61	>61
Smallest Size Specified	<50-51	A	A,C	A,E	A,J	A,M	A,O
	52-53		C	C,E	C,J	C,M	C,O
	54-56			E	E,J	E,M	E,O
	57-59				J	J,M	J,O
	60-61					M	M,O
	>61						O

Table 3 shows which head forms will be used in certification testing for various head size specifications. Since the largest head size should never be smaller than the smallest head size, most of the lower left region of the table is blank.

If the size specification corresponds to one of the light gray cells along the table's main diagonal, only a single test head form will be necessary and the manufacturer need only submit seven samples identical samples six of which must be configured with comfort padding for the largest intended head size for certification testing. The seventh sample may be configured with comfort padding intended for the smallest intended head size. If the size specification corresponds to any other cell indicating that the helmet is appropriate for testing on two or more different head forms, two more samples are required, identical to the first seven in all respects except that the comfort padding may be configured for the smallest intended head size.

During testing, helmets will be positioned on the selected test head form according to the manufacturer's specified helmet positioning indices. If the manufacturer fails to provide positioning information with certification samples, the helmets will be positioned according to the best judgment of the authorized technical personnel. If the helmets meet certification requirements, the helmet positioning

indices will be those used in all future testing.

These helmet positioning indices represent distances on the front of the head form from the basic plane along the intersection with the longitudinal plane upward to the lower brow edge of the helmet. Helmet positioning indices will be assigned for all head form sizes appropriate to the headgear. Each headgear could conceivably require as many as six helmet positioning indices, one each for the 'A', 'C', 'E', 'J', 'M' and 'O' head forms.

C. Marking

At least one sample in each set of helmets received for testing will be marked to guide the correct placement of test impacts and to assess the correct location of the frontal restraint hardware. If the samples have been submitted for certification testing, the sample intended for the archive must be among those marked.

The helmet is placed upon the largest appropriate ISO head form, positioned according to the apposite helmet positioning index and held in place with an applied force of 50 newtons (11.25 lbs). The intersections of the shell with the various defined planes are then traced onto the outer surface of the helmet in the following manner:

The level of the S_0 plane is marked on that portion of the helmet in front of the fore plane. The level of the S_3 plane is marked on that portion lying between the fore and rear planes. The level of the S_4 plane is marked on that portion behind the rear plane. Finally, line segments along the fore plane are marked to join the S_0 and S_3 planes and, similarly, line segments along the rear plane are marked to join the S_3 and S_4 planes.

These lines enclose the top of the helmet and are the boundary of the required extent of protection. However, it shall not be a cause for rejection if parts of this boundary fall below the edge of the helmet. A test line shall be constructed within the extent of protection 40 mm from the closest point on the boundary as shown in Figure 2. This test line bounds the area in which the Standard and Low Velocity test impacts described in sections E4.3.1 and E4.3.2 may be sited.

Mark level of the Reference plane on the center right and left sides of the sample and then mark a segment of the Transverse plane intersecting both the reference plane and S₄ plane levels. The points at which the Reference plane and the Transverse plane intersect will be the site of the Low Lateral impacts described in E4.3.3. The points at which the S₄ and Transverse planes intersect must be at least 70 mm in front of the centers of the M6 inserts required for tether mounts of frontal head restraint systems.

If identical helmets are to be configured with different thicknesses of comfort padding to accommodate different ranges of head size, the required extent of protection marked on the test samples shall include the required extent of protection for each different configuration as marked on the largest head form appropriate for each. That is: the helmet must meet all the requirements of this Standard in each of the intended configurations.

D. Peripheral Vision

The clearance for peripheral vision will be checked by placing the helmet on each appropriate ISO head form, positioning it according to the apposite helmet

positioning index and holding it in place with a force of 50 newtons. The clearance must include the following solid angles to the front of the head form:

1. The upward visual clearance.
2. The lateral visual clearance.
3. The downward visual clearance except for the breath deflector allowance.

The upward visual clearance is the solid angle bounded by the reference plane of the head form and a second plane tilted 5° up from the reference plane. This second plane intersects the reference plane at two points on the front surface of the head form that are 31 mm to the right and left of the longitudinal plane as shown in Figure 3.

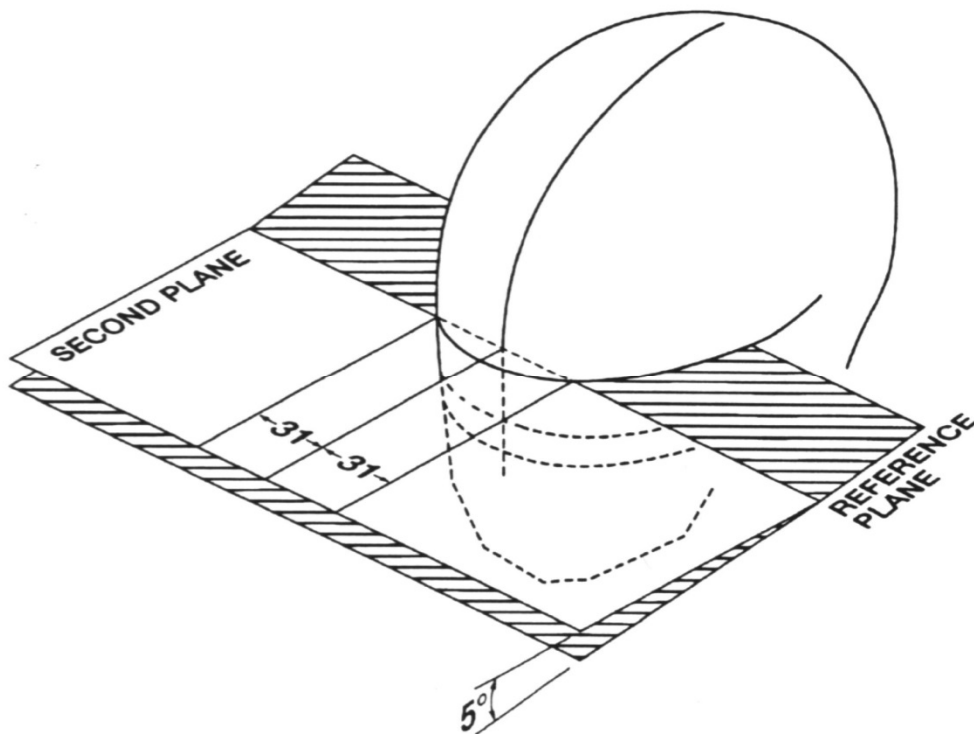


Figure 2. Upward Visual Clearance

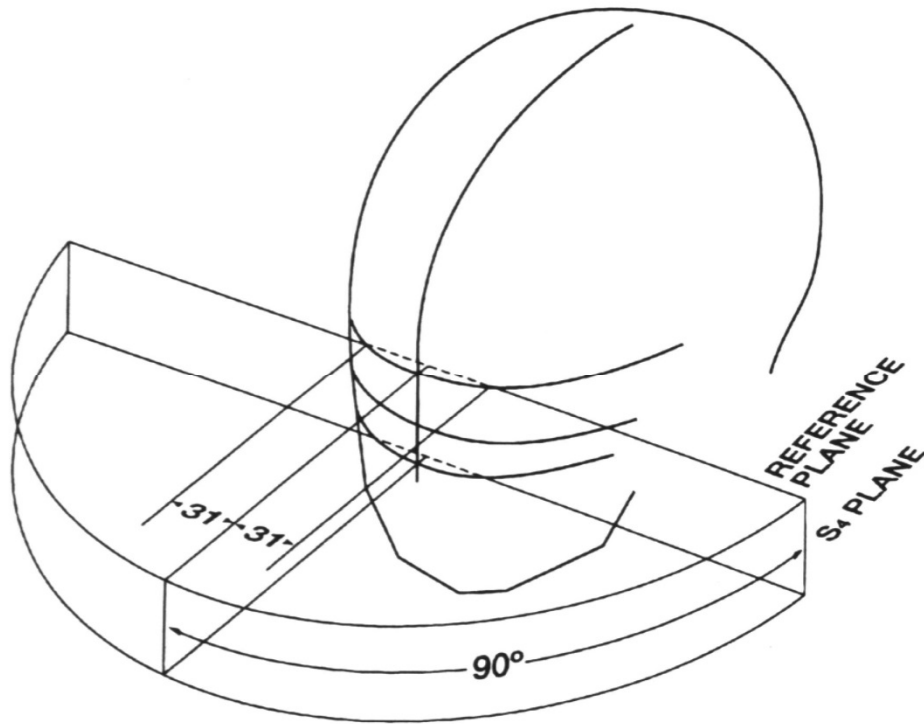


Figure 4. Lateral Visual Clearance

The lateral visual clearance, as shown in Figure 4, is the solid angle bounded by the reference plane, the S_4 plane and the plane perpendicular to both the reference plane and the longitudinal plane and that contains the points on the front of the head form that are on the reference plane and are 31 mm to the right and to the left of the longitudinal plane.

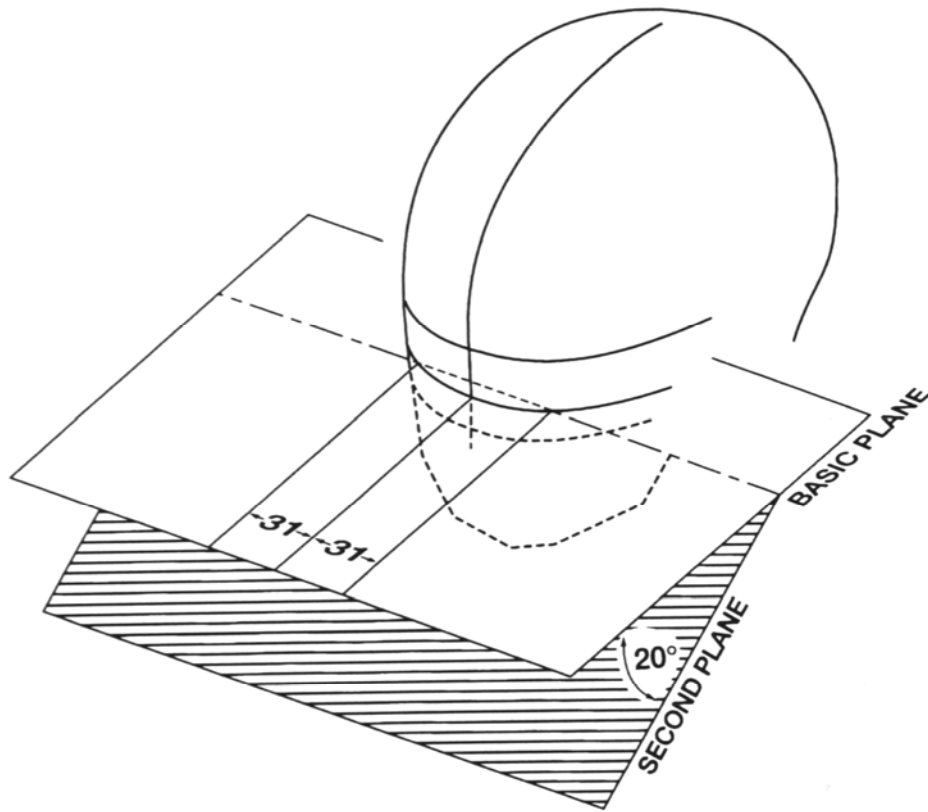


Figure 5. Downward Visual Clearance

The downward visual clearance is the solid angle bounded by the basic plane of the head form and a second plane tilted 20° down from the basic plane that intersects it at two points on the front surface of the head form that are 31 mm to the right and left of the longitudinal plane as shown in Figure 5. However, intrusions into this downward visual are permitted so long as the intrusions are within the breath deflector allowance.

The breath deflector allowance is shown in Figure 6. It includes the region that is within 31 mm to the right and left of the longitudinal plane and that lies below the two

planes that form 45° angles with the longitudinal plane and that intersect it at the level of the Basic plane.

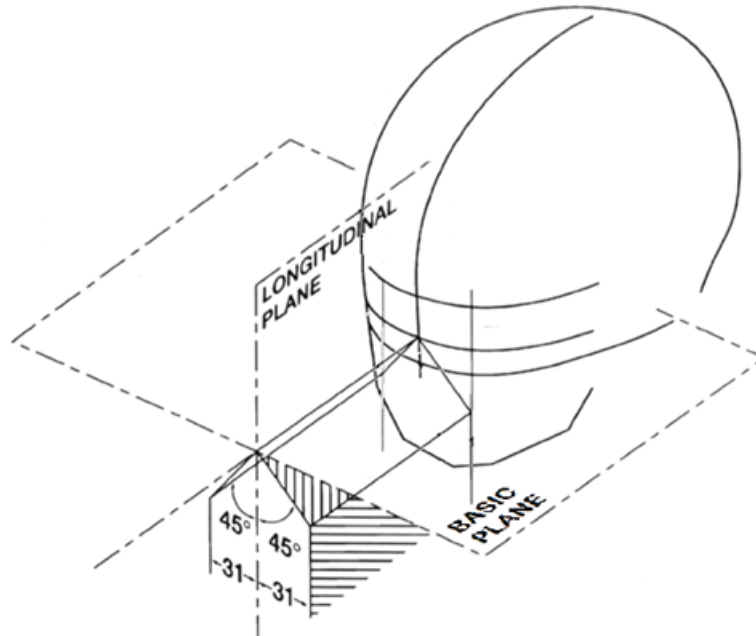


Figure 6. Breath Deflector Allowance

Helmets certified to a special addendum to this standard and bearing the warning labels specified in the addendum will not be subject to these procedures and criteria for evaluating clearances for vision; the procedures and criteria specified in the addendum will be applied instead.

E. Performance Testing

The performance testing subjects helmets to a dynamic test of retention system strength, to a test for positional stability, to impact management tests, to helmet shell penetration tests, to tests of the attachment terminals for frontal head restraint tethers, to a removability test, to chin bar and face shield tests if appropriate and, also if

appropriate, to flame resistance tests. These tests are conducted upon helmet samples kept under laboratory ambient temperature and humidity or that have been conditioned in hot or wet environments simulating some of the conditions in which the helmet might reasonably be expected to be used. There is also a cold conditioning simulating extremes of storage and transport through which samples may be cycled before being tested in any of the ambient, hot or wet conditions.

Prior to conditioning and testing, samples may be exposed to solvents common to motorsports which have been found to attack and degrade some helmet components.

The selection of tests, conditioning and special conditioning is left to the discretion of the Foundation's technical personnel. However, for certification testing, each of the specified tests shall be applied to at least one sample. Furthermore, it is expected that every test series will be conducted so as to exercise all the likely failure modes of the helmet.

E1. Conditioning for Testing

Test samples may be tested at laboratory ambient temperature and humidity or may be conditioned hot or wet according to the specifications given below. Prior to establishing ambient, hot or wet conditioning, any helmet may first be subjected to a cold-cycle. Each of these conditions shall be applied to at least one helmet in a certification test series. At the discretion of the Foundation's technical personnel and at any point during the testing, a sample previously kept at ambient may be conditioned hot or wet. However, once a sample has been conditioned hot or wet, the sample must be maintained in that condition throughout the rest of the testing. The

special solvent wipe conditioning described below may also be applied to any sample at the discretion of the Foundation's technical personnel.

a. Special Conditioning. Prior to any impact or retention system testing helmets may first be conditioned with a solvent mix of 50% toluene and 50% isooctane. A cotton cloth or suitable substitute shall be soaked in the solvent and used as an applicator. The solvent will be applied to the shell first in an area within 5 mm of the chin strap attachments for not less than five (5) seconds on each side and then applied to the remainder of the shell for not less than ten (10) seconds. At least thirty minutes shall elapse before further conditioning and testing.

b. Cold-Cycle. This environment simulates an extreme storage or transport condition for the headgear but is unreasonably cold for a use environment. At least one sample shall be conditioned by being exposed to a temperature of $-20 \pm 2^{\circ}$ C or, at the discretion of the Foundation's technical personnel, at a temperature of $-30 \pm 2^{\circ}$. This exposure shall continue for a period of not less than four (4) hours, nor more than twenty-four (24) hours. Samples cycled through this treatment shall be either stored at laboratory ambient for at least four (4) hours or conditioned according to either of the hot and wet specifications below before further testing.

c. Hot. The sample shall be conditioned by being exposed to a temperature of $50 \pm 2^{\circ}$ C for a period of not less than four (4) hours, or more than twenty-four (24) hours.

d. Wet. The sample shall be conditioned by being continuously sprayed with water at a temperature of $25 \pm 5^{\circ}$ C for a period of not less than four (4) hours, or more

than twenty-four (24) hours. This spray shall be directed at the helmet's external surfaces. The helmet shall not be subjected to total immersion.

All testing of these hot, cold and wet helmets shall begin within two (2) minutes from the time of removal from the conditioning apparatus. The samples shall be returned to the conditioning apparatus between tests.

E2. Positional Stability (Roll-Off)

The test for positional stability shall only be applied to samples kept at ambient laboratory temperature and humidity. The helmet shall not have been subjected to any prior performance testing.

The helmet shall be tested on the smallest appropriate standard full-face head form. The head form shall be supported on a stand so that its vertical axis points downward at an angle of 135° to the direction of gravity. The head form shall be oriented face down. The helmet shall be placed on the head form and adjusted to obtain the best configuration of the retention system. An inelastic strap shall be hooked to the edge of the helmet at the rear centerline and brought forward so that its free end hangs downward across the top of the helmet. An inertial hammer shall be suspended from the free end of the strap. This inertial hammer shall enable a 4.0 kg ±50 g mass to be dropped through a 0.6 m guided fall in order to deliver an abrupt shock load to the headgear. The shock load will force the helmet to rotate forward on the head form. The helmet may be shifted but must remain on the head form.

The head form shall be repositioned so that it is facing upward but with the vertical axis still oriented downward at 135° to gravity. The helmet shall be positioned and adjusted to obtain the best configuration of the retention system. The strap/inertial

hammer shall be hooked to the brow edge of the helmet at the center line so that the strap lies along the centerline and the hammer is suspended from the top of the helmet. The shock weight shall be dropped through the 0.6 m guided fall delivering an abrupt shock load forcing the helmet to rotate rearward. The helmet may be shifted but must remain on the head form.

The entire portion of the inertial hammer assembly that participates in the loading of the helmet shall be such that its mass is no more than 5.0 kg including the 4.0 kg shock mass.

E3. Dynamic Test of Retention System

The dynamic test of the retention system may be applied to any sample either kept at ambient temperature and humidity or conditioned hot, cold or wet. This test may be performed before, after, or between any of the other procedures in the test sequence. However, the retention test shall not be valid if an integral chin bar has been removed from a full face helmet.

The helmet shall be supported on its lower shell edge in such a manner that the chin strap may be fastened under a device whose upper end approximates the contour of the bony structure of the jaw. The device will then be given a mechanical pre-load followed by a dynamic loading. The retention system fails if it cannot support the mechanical loads or if the maximum deflection during the dynamic load exceeds 30 mm. The retention system also fails if it cannot be easily and quickly unfastened after testing.

If the technician determines that the helmet cannot be adequately supported on its lower shell edge, at his discretion, he may support the helmet on a head form for this test.

a. This chinstrap loading device shall consist of a simulated jaw and accommodations for the pre-load and dynamic load. The jaw portion shall consist of two metal bars or rollers, each one 12.7 ± 0.5 mm in diameter, separated by 76 ± 0.5 mm on center. The mass of this device shall not exceed 6.0 kg.

b. A pre-load shall be applied for at least 60 seconds. This pre-load shall consist of the mass of the chin strap loading device, static load of 23 kg and the shock load of $38 \text{ kg} \pm 500 \text{ g}$ which will total $61 \text{ kg} \pm 500 \text{ g}$.

c. Raise the $38 \text{ kg} \pm 500 \text{ g}$ mass which will then be dropped in a vertical guided fall through a distance of 120 mm to load the retaining system abruptly; the shock load of 38 kg mass and static load of 23 kg mass shall not be additive. In order to protect the test mechanism, the impact of the 38 kg mass may be cushioned with a 00-93 durometer rubber pad 150 mm in diameter by $6\frac{1}{2}$ mm thick, or its equivalent.

E4. Impact Management Tests

The impact management tests may be performed on samples kept at ambient temperature and humidity or conditioned hot, cold or wet. The sample shall not have been subjected to the shell penetration test beforehand.

These tests involve a series of controlled impacts in which the helmet is positioned on a test head form. The helmeted head form is then dropped in guided falls onto specified test anvils. The impact site and the impact energy must meet certain requirements in order for the tests to be valid.

If the sample is so constructed that it interferes with the test equipment preventing impacts at sites within the test line, then, at the discretion of the Foundation's technical personnel, parts of the helmet may be cut away to facilitate testing. Every reasonable effort to minimize such cutting will be made. However, there shall be no relaxation of the impact levels or of the test criteria.

Certain tests shall not be valid when performed on samples that have been cut for impact testing: the dynamic strength of retention system test of section E3., the positional stability test of section E2., the chin bar test of section E5. and the removability test of section E8.

Special considerations apply when the helmet is a “flip-up” model, that is: configured with a chin bar that pivots up and away from the face of the wearer. For the first three impacts on any flip-up sample, the impact tests will be performed, whenever possible, with the chin bar locked in the closed position. In these tests the chin bar must not release and “flip-up” inadvertently. In certification testing, the tests will generally be structured so as to investigate performance in frontal followed by lateral impact.

E4.1 Impact Management Test Equipment

The test equipment shall consist of at least the following items:

- a.** The smallest and largest of the head forms appropriate for the helmet sample. This head form shall be of rigid, low resonance metal such as magnesium alloy and shall conform to the 'A', 'C', 'E', 'J', 'M' or 'O' geometries specified in ISO DIS 6220-1983.
- b.** A ball-arm/collar assembly which is fitted to a socket machined into the

base of the head form. The ball/socket configuration shall be such that the geometrical center of the ball is located on the central vertical axis of the head form 12.7 mm above the reference plane as described in ISO DIS 6220-1983. The ball-arm/collar assembly shall also include a uniaxial accelerometer fixed firmly into the ball.

c. A head form support assembly rigidly attached to the ball-arm. This support assembly shall be such that it and consequently the head form may be guided in a vertical drop. The mass of this support assembly shall not exceed 1.2 kg. The total mass of the head form plus ball-arm/collar assembly plus head form support assembly shall be within 100 grams of: 3.1 kg for the ISO A head form, 3.6 kg for the ISO C head form, 4.1 kg for the ISO E head form, 4.7 kg for the ISO J head form, 5.6 kg for the ISO M head form and 6.1 kg for the ISO O head form.

d. A guidance system such that the head form/support assembly is guided in a vertical drop onto a test anvil. This guidance system may consist of two or more wires or one or more rails. The head form/support - guidance system - test anvil alignment shall be such that:

d1. The drop trajectory shall be a straight line within 3° of vertical and within 5° of the sensitive axis of the uniaxial accelerometer.

d2. The line parallel to the drop trajectory and passing through the center of the head form ball-socket shall pass within 5 mm of the center of the test anvil, within 10 mm of the center of gravity of the head form/support assembly, and within 5 mm of the sensitive element of the uniaxial accelerometer.

e. A rigid anvil mount consisting of a solid mass of at least 500 kg. The upper surface of the anvil mount shall consist of a steel plate with a minimum thickness of 12 mm and a minimum surface area of 0.10 m².

f. Five test anvils: flat, hemispherical, roll bar, kerbstone and edge.

f1. The flat anvil shall have a minimum surface area of 0.0127 m², e.g. 127 mm diameter face. When fixed in position on the anvil mount, the surface shall be perpendicular to the head form trajectory.

f2. The hemispherical anvil shall have a 48 ±0.5 mm radius.

f3. The roll bar shall be at least 20.5 cm in length and 5.0 cm ±0.5 mm in diameter.

f4. The kerbstone shall consist of two sides forming an angle of 105 ± 5°, each of them with a slope of 52.5 ± 2.5° towards the vertical and meeting along a striking edge with a radius of 15 mm ± 0.5 mm. The height must be at least 50 mm and the length not less than 125 mm.

f5. The edge anvil shall have a striking face 6.3 mm wide with a depth of at least 35 mm. The radius of the edges on the impact face shall not exceed 0.5 mm. When in position, the striking face shall be perpendicular to the head form trajectory. The anvil shall be sufficiently long that the ends do not contact the helmet during impact.

g. A uniaxial accelerometer. The acceleration data channel must comply with SAE recommended practice J 211 requirements for channel class 1000 with the exception that the frequency response need not include the range from dc to 10 hz which may not be obtainable using certain types of transducers.

h. A velocity measurement device which will yield the velocity of the head form/support assembly within the last 40 mm of travel before impact. The velocity measurement must be accurate to within $\pm 1\%$.

E4.2 Test Definitions

a. The impact site refers to the portion of the helmet struck during an impact test. It is defined as the point where a line passing through the center of the head form ball and the center of the anvil intersects the outer surface of the helmet at the instant the helmet first touches the anvil. Please note, this point need not be the point at which the helmet shell makes first contact with the anvil.

b. The impact velocity is the velocity of the head form/support assembly as measured within no more than 4 cm of the first contact between the helmet and the impact surface.

c. This standard specifies nominal impact velocities which must be adjusted in order to allow for deviations between the actual mass of the test head form assembly and the specified ideal value. The actual test impact velocity shall be the specified nominal velocity multiplied by the square root of the value obtained by dividing the ideal head form assembly mass by the actual mass. For example, if, for the 'A' head form, the mass of the head form plus ball-arm/collar and support assembly as in paragraph E4.1c masses 3.2 kg instead of the ideal mass of 3.1 kg, the test impact velocities shall be obtained by multiplying the nominal velocities by a factor of 0.984.

d. There are two levels of test: the first is the standard level used to identify those helmets which definitely meet this standard. It is applied to samples submitted for certification testing and to those acquired for the Foundation's random sample test

(RST) program. The second is the deviation level which is applied to samples acquired for second round RST procedures, that is: testing of samples of currently certified models for which previous samples have obtained failing results in RST testing. Failure to meet test criteria at the deviation levels indicates that the sample definitely does not meet the requirements of the standard.

Head Form		A	C	E	J	M	O
Certification	1 st	8.50 m/s	8.50 m/s	8.50 m/s	8.50 m/s	8.50 m/s	8.15 m/s
	2 nd	6.80 m/s	6.80 m/s	6.80 m/s	6.45 m/s	6.00 m/s	6.00 m/s
	3 rd	6.00 m/s	6.00 m/s	6.00 m/s	6.00 m/s	6.00 m/s	6.00 m/s
	Low Velocity	5.00 m/s	5.00 m/s	5.00 m/s	5.00 m/s	5.00 m/s	5.00 m/s
	Low Lateral	7.50 m/s	7.50 m/s	7.50 m/s	7.50 m/s	7.50 m/s	7.50 m/s
Deviation	1 st	8.20 m/s	8.20 m/s	8.20 m/s	8.20 m/s	8.20 m/s	7.86 m/s
	2 nd	6.45 m/s	6.45 m/s	6.45 m/s	6.15 m/s	5.80 m/s	5.80 m/s
	3 rd	5.80 m/s	5.80 m/s	5.80 m/s	5.80 m/s	5.80 m/s	5.80 m/s
	Low Velocity	4.80 m/s	4.80 m/s	4.80 m/s	4.80 m/s	4.80 m/s	4.80 m/s
	Low Lateral	7.25 m/s	7.25 m/s	7.25 m/s	7.25 m/s	7.25 m/s	7.25 m/s

E4.3 Test Impacts

There are three different test impact protocols: “Standard” which is intended to assess a helmet’s capabilities in severe impact, “Low Velocity” which is intended to assess capability in moderate impacts and “Low Lateral” which is intended to assess capability in strikes against the sides of a vehicle interior.

E4.3.1 Standard Test Impacts

Samples maintained in any of the specified conditions may be tested. Test impact sites shall be on or above the test line. Rivets, vents and any other helmet

feature within this region shall be valid test sites. Each impact site will be subjected to a group of one, two or three impacts according to the anvil selected for that site.

The impact site for the first impact within in a group is the target for the successive impacts in the same group. However, if an impact group is sited closer than indicated in the following table to any previous impact group, that later impact group shall be declared invalid.

Table 5. Impact Group Separation		
A & C Head Forms	E & J Head Forms	M & O Head Forms
At Least 130 mm	At Least 140 mm	At least 150 mm

There is no restriction regarding test anvil selection. The impact velocities for each test impact depend on the type of test and on the head form designation. Second impacts do not apply to helmets in tests against the edge anvil. Third impacts apply only to helmets in tests against the roll bar anvil.

The technician may select either the largest or smallest appropriate head form for any particular group of impacts. In all cases the technician may impact any site on the helmet surface on or within the test lines as drawn for any of the head forms considered appropriate for that helmet.

a. Flat Anvil: Each site tested against the flat anvil shall be tested in two impacts according to the 1st and 2nd values specified in Table 4., the impact velocity table, adjusted for the mass of the head form assembly. No site shall be subject to the third impact for this anvil.

b. Hemispherical Anvil: Each site tested against the hemispherical anvil shall be tested in two impacts according to the 1st and 2nd values specified in the impact

velocity table adjusted for the mass of the head form assembly. No site shall be subject to the third impact for this anvil.

c. Each site tested against the edge anvil shall be tested in a single impact according to the 1st value specified in the impact velocity table adjusted for the mass of the head form assembly. No site shall be subjected to the second or third impact for this anvil.

d. Each site tested against the roll bar anvil shall be tested in three impacts according to the 1st, 2nd and 3rd values specified in the impact velocity table adjusted for the mass of the head form assembly.

e. If the impact velocity for any test impact exceeds the specified mass adjusted velocity by more than 1.5%, that impact shall be declared invalid.

Please Note: The impacts described above are based on specific velocities and not prescribed drop heights. To attain the proper velocity for an impact, it is likely that the drop height will need to be adjusted to compensate for frictions inherent in most mechanical helmet testing systems. Height adjustments for these frictions should not account for more than 10% of the total drop height. Also, the 1.5% margin allowed for impact velocity reflects the uncertainties expected even for well maintained drop equipment. It is expected that drop heights will always be selected to produce, as closely as possible, the precise impact velocity as called out in the standards and adjusted for head form assembly drop mass.

E4.3.2 Low Velocity Test Impacts

A single helmet sample maintained at laboratory ambient conditions shall be tested on the smallest appropriate head form in five separate, single impacts against

the flat anvil at the according to the Low Velocity figure specified in Table 4. Impacts may be sited anywhere on or above the test line but no two impacts may be sited any closer to each other than the separation distance specified in Table 5.

E4.3.3 Low Lateral Impact

The Low Lateral impact tests may be performed only on samples maintained for the appropriate time period in laboratory ambient condition. The helmet sample may be tested on guided fall equipment including an appropriate half-head form and a correctly aligned uniaxial accelerometer or on free drop equipment using an appropriate full head form and a triaxial accelerometer. The test technician will select the test equipment according to his judgment as to which most favors the helmet being tested. The impact surface for this test shall be the kerbstone anvil described in E4.1.

The helmet and head form assembly shall be dropped in such a manner that, just prior to contact:

- The head form has no perceptible rotational velocity.
- The head form's longitudinal plane is within 15° of horizontal.
- The head form's transverse plane shall be within 15° of perpendicular to the kerbstone anvil's striking edge.
- A vertical erected from the center of the anvil passes within 10 mm of a point marked on the helmet's surface at the intersection of the head form transverse and reference planes.

The nominal impact velocity for this test is specified in the nominal impact velocity table. This value must be adjusted to account for any difference between the

ideal mass of the head form and the measured mass. The impact velocity shall be measured within the last four centimeters of travel before contact with the anvil.

The separation between this impact site and previous or subsequent impact sites on the same sample must be maintained according to the impact group separation table.

E4.4 Impact Test Interpretation

Table 6. Peak Acceleration Criteria						
Head Form						
	A	C	E	J	M	O
1 st , 2 nd , 3 rd and Low Lateral	300 G	300 G	300 G	300 G	280 G	280 G
Low Velocity	200 G	200 G	200 G	200 G	200 G	200 G

No peak acceleration of the head form shall exceed the corresponding value in the table above depending on the head form and the type of test. The average of the five peak accelerations for any sample subjected to the Low Velocity impact shall not exceed 180 G. The helmet’s protective structures shall not break apart throughout the testing. If the Foundation's technical personnel conclude that fracture of the helmet shell, impact liner, retention system or other components could reasonably imply an undue laceration hazard either from the impact surface or from the helmet itself, the sample shall be considered to have failed. A flip-up configuration tested with the chin bar closure locked at the outset of one of the first three valid impacts performed on the sample and which releases inadvertently as a result of the impact will also be deemed to have failed.

If, in certification testing, a sample is found to meet all the test criteria but any two of the impacts were at less than 98.5% of the specified impact velocity as adjusted

for drop assembly mass, the testing for that sample shall be declared inconclusive and must be repeated. Similarly, if there are two instances where an impact falls beyond 10 mm from the first impacts in its group, the testing for the sample shall be declared inconclusive and must be repeated. Finally, if an invalid impact produces a peak acceleration exceeding the test criterion, the testing for the sample shall be declared inconclusive and must be repeated.

The impact test procedures leave considerable latitude to the helmet tester regarding site and anvil selection. It is expected that the tester will orchestrate each standard test series in order to investigate potential weaknesses and to exercise each likely failure mode and will conduct deviation level testing to exercise the failure modes identified previously.

If at the end of a certification test series, the Foundation's technical personnel conclude that the results obtained in valid impacts are not sufficient to determine whether the helmet model meets the performance requirements of this standard, additional samples may be conditioned and tested. It is expected that all samples submitted will meet all the test requirements.

E5. Chin Bar Test

The chin bar test applies to full face helmets only. At least one helmet in each certification series shall be tested. The helmet shall be firmly mounted on a rigid base so that the chin bar faces up and the reference plane is at $65 \pm 5^\circ$ from horizontal. A mass of 5 ± 0.2 kg with a flat striking face of 0.01 m² minimum area shall be dropped in a guided fall so as to strike the central portion of the chin bar with an impact velocity of 3.5 ± 0.2 m/sec. The maximum downward deflection of the chin bar must not

exceed 60 mm nor shall any component fail so as to cause a potential injury to the wearer.

E6. Shell Penetration Test

The shell penetration test may be applied to helmets kept at laboratory ambient temperature and humidity or helmets conditioned hot, cold or wet. At least one helmet sample shall be tested in shell penetration. The complete helmet shall be placed on a rigidly mounted head form. The test head form for the penetration test need not be the standard ISO head form shape used in the impact testing and helmet marking. It is expected only that the device used will provide reasonable support for the helmet and conformance with the interior of the helmet immediately beneath the site of the penetration test. If the helmet contains a sling or some other adjustable sizing component, it shall be relaxed to its most extendable position.

The penetration test striker shall have a mass of 3 kg \pm 50 g and the point of the striker shall be a cone with an included angle of $60^\circ \pm 0.5^\circ$ and an altitude of 38 ± 0.38 mm. The striking tip shall have a hardness of 60 Rockwell (scale C \pm 3 points) and a radius of 0.5 ± 0.1 mm. The region of the support head form directly beneath the striker tip shall be wax or soft plastic and covered with a thin tell-tale of paper, foil, tape or some similar material.

The striker shall be dropped to strike the surface of the helmet shell at a velocity of 7.45 ± 0.15 meters per second as measured within no more than 4 centimeters of contact with the helmet. The helmet may be oriented on the support head form so that the test striker is directed at any site on or above the test line but the penetration test site must be at least 7.5 cm removed from the center of any impact test site or any

other penetration test site. At the test technician's discretion, samples may be tested at more than one site on the shell.

For all penetration tests performed, the test striker must not penetrate through the helmet wall so as to mark the tell-tale between the helmet and the support head form.

E7. Face Shield Penetration Test

If a face shield is provided with a full face helmet, this face shield shall be tested for penetration resistance in the following manner:

The face shield shall be tested on the appropriate helmet, correctly deployed across the facial opening and under laboratory ambient conditions. A soft lead pellet weighing 1 ± 0.1 g with a diameter of 5.5 ± 0.1 mm and traveling at a velocity of 500 ± 20 km per hour shall strike the face shield normal to the surface. The face shield shall be tested in at least three different locations: the center line and 80 ± 5 mm to either side of the center line. The pellet must not penetrate to the interior of the helmet.

E8. Frontal Head Restraint (FHR)

The procedures for evaluating frontal head restraint features are described in the Federation de l'Automobile standard: FIA 8858-2010 Frontal Head Restraint (FHR) System. At least one previously untested sample shall be inspected and tested according to Section 6. Assessment of Helmet and Appendix B. Helmet-M6-Terminal Test Procedure.

Any failure to meet the described specifications or test criteria shall be a cause for rejection.

E9. Flame Resistance Tests

The test will be conducted at ambient temperature, between 10°C and 30°C, and utilize the thermal load of a propane flame, at the flame location representing a measured temperature of 790° ±40°C.

a. Shell: The site selected on the shell for this test must lie at least 120 mm from any site tested in impact or shell penetration and from any cutting done to facilitate impact testing. The flame shall impinge upon the external surface of the helmet shell for a period of 30 seconds. Simultaneous with the removal of the flame, a timing device shall be activated. The helmet shall be self-extinguishing within 10 seconds of the removal of the flame i.e., shall not continue to burn with the emission of a flame. The helmet will not be subjected to impact tests after testing for flammability.

The temperature of the padding and lining materials normally in contact at any point with the wearer's head shall not exceed 70°C during the test.

b. Trim: The helmet trim will include any attachment sold for use with the product not otherwise discussed in this section on flame resistance. This includes face shields provided with open face helmets. The trim will be subjected to the same propane flame utilized in the shell test, but for a period of 15 seconds. The trim shall be self-extinguishing within 20 seconds of the removal of the thermal load.

c. Chin Strap: The chin strap utilized will be subjected to the same propane flame utilized in the shell test. The chin strap and chin strap cover, if provided, shall be suspended between two clips at least 75 mm apart so that there is only minimal tension and so that the broad side of the strap is perpendicular. The flame shall be applied to the cover if present or otherwise to the strap for a period of 15 seconds.

The chin strap and, if present, the cover shall not melt and shall be self-extinguishing within 5 seconds of the removal of the thermal load.

d. Face shield: (For full face helmets equipped with face shields only). The face shield will be subjected to the same propane flame utilized in the shell test, but for a period of 45 seconds. The face shield shall not melt down during this period so as to allow the propane flame to penetrate the interior of the helmet. The shield shall be self-extinguishing in 20 seconds.

e. Padding and lining materials: The internal padding and lining materials will be subjected to the same propane flame utilized in the shell test, but for a period of 15 seconds. The lining shall be self-extinguishing within 5 seconds of the removal of the thermal load. This test shall only be applied to that part of the lining within 50 mm of the face or neck opening of the helmet.

E10. Removability

This test shall be applied to helmet models configured with systems other than traditional D-ring chin strap retention systems. It is intended to determine whether the helmet can reasonably be removed from an unconscious victim without resorting to any buckles, clasps or other mechanisms which may be rendered non-functional by impact damage. The helmet is placed on the largest appropriate complete ISO head form with all the closures and retention systems engaged. A technician must remove the helmet from the head form using simple, common hand tools either to cut or circumvent helmet retention elements without accessing any of the helmet mechanisms.

The hand tools for this test are limited to shears, simple edged tools and common screw drivers. The operation must not require more than thirty seconds.

E11. Post-testing Disassembly and Inspection

At the discretion of the technician, any helmet may be disassembled in order to check for internal projections, plausibility or for deviations from the originally certified configuration.

Certification Series Test Plan

For a certification test series, it is expected that each test in this standard appropriate to the helmet configuration will be performed at least once. It is also expected that the test technician will conduct the testing so as to obtain the most exhaustive evaluation possible of likely failure modes. The table below represents a typical certification test plan by sample number, conditioning and tests in order of application. Bolding indicates that the particular test is routine for that sample; otherwise, the particular test might be performed on another sample if convenient.

Test Matrix		
Helmets Configured for Largest Intended Size		
Helmet	Conditioning (After optional cold cycle)	Appropriate Tests
#1 Archive	Ambient	Not subject to performance testing
#2	Lab Ambient	E2, E5, E7, E4.3.1, E6, E10, E11
#3	Wet	E3, E4.3.1
#4	Any	E3, E4.3.1
#5	Hot	E3, E4.3.1
#6	Lab Ambient	E3, E4.3.1, E4.3.3, E9
FHR Sample to be tested on smallest appropriate head form		
#7 (FHR)	Lab Ambient	E8
#8	Lab Ambient	E4.3.2 (Low Velocity)
When Necessary – Helmets Configured for Smallest Intended Size		
#9	Lab Ambient	E2, E4.3.1
#10	Hot	E4.3.1